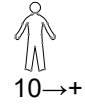


J37100A

Proludic[®]





N°		
1	<0.6 m	14.5 m ²
2	0.9 m	2 m ²
3	1.1 m	12.5 m ²

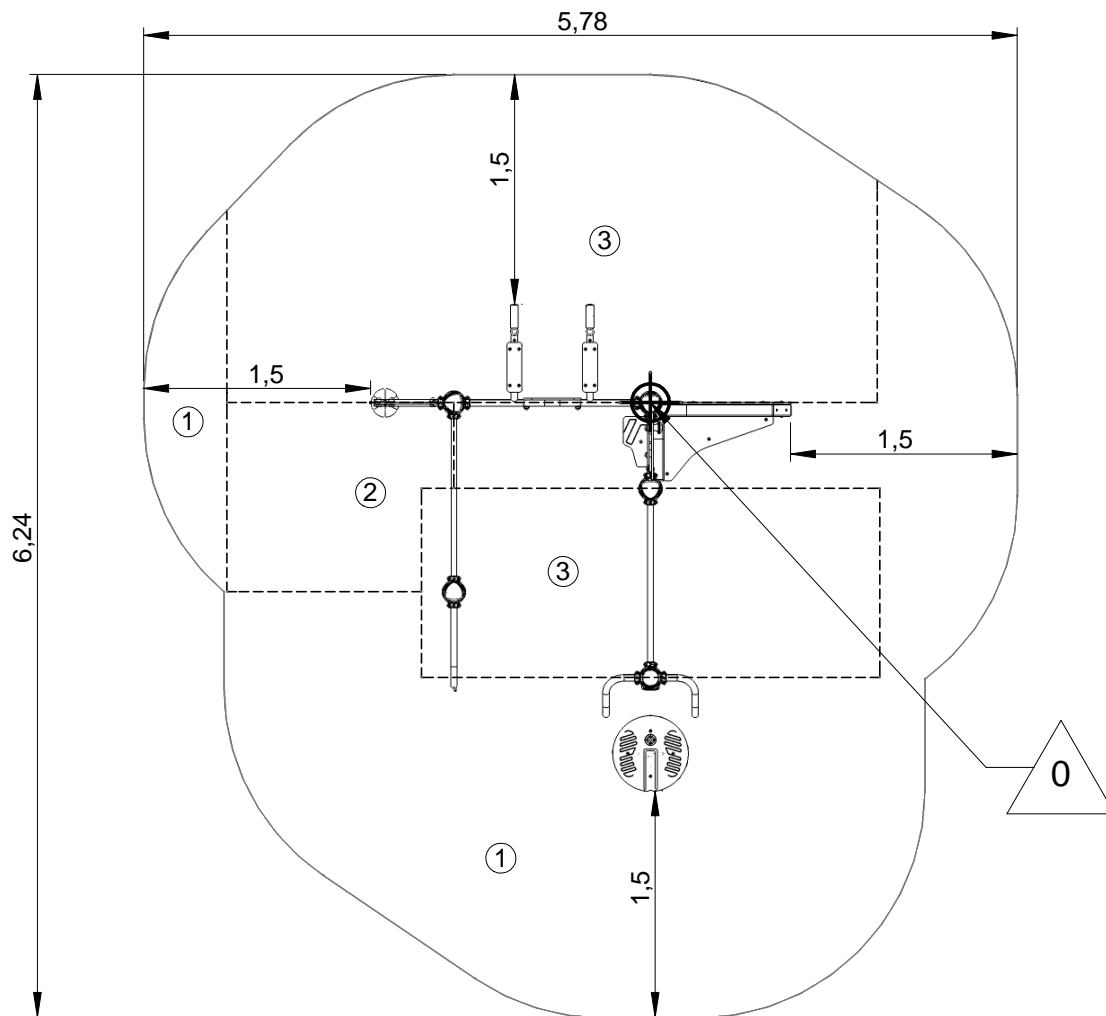
— Zone d'impact
Impact area
Area de impacto
Fallraum
Valzone

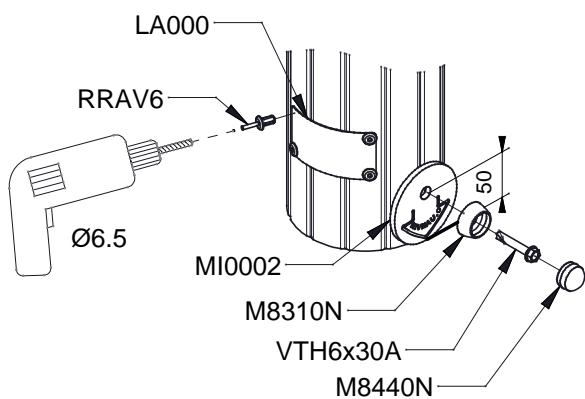
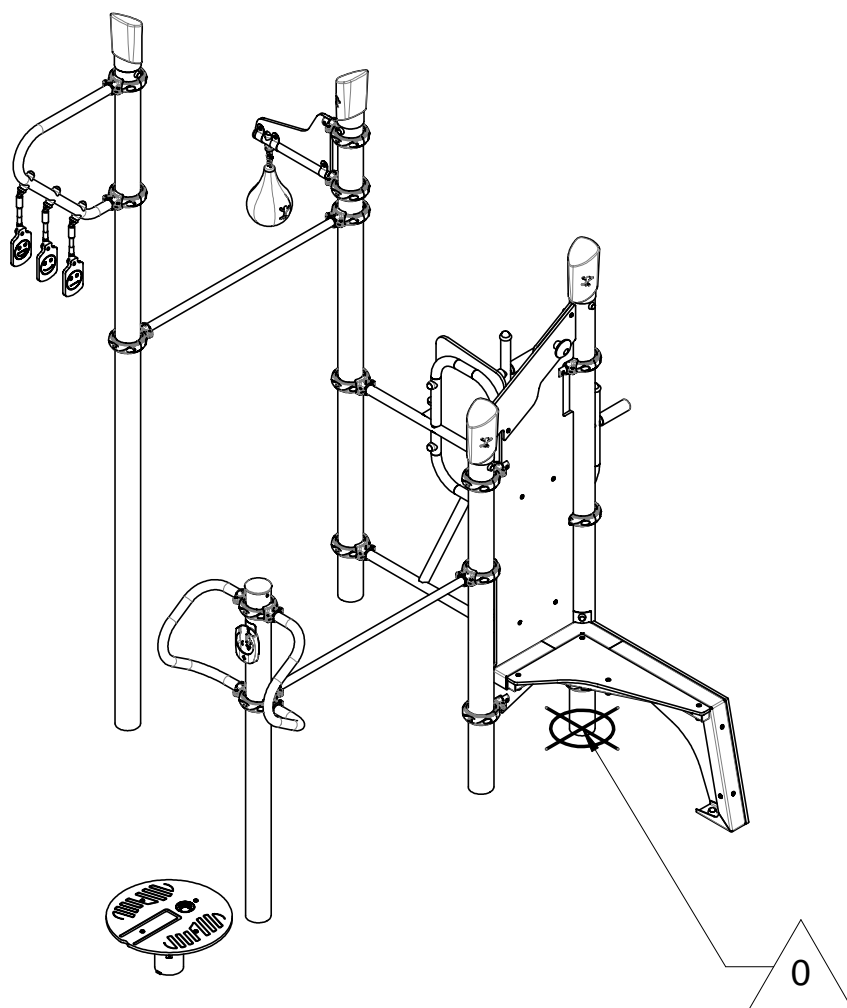


Point de référence
Setting out point
Punto de referencia
Bezugspunkt
Referentiepunt

- - - Espace libre
Free space
Espacio libre
Freiraum
Vrije ruimte

EN16630:2015

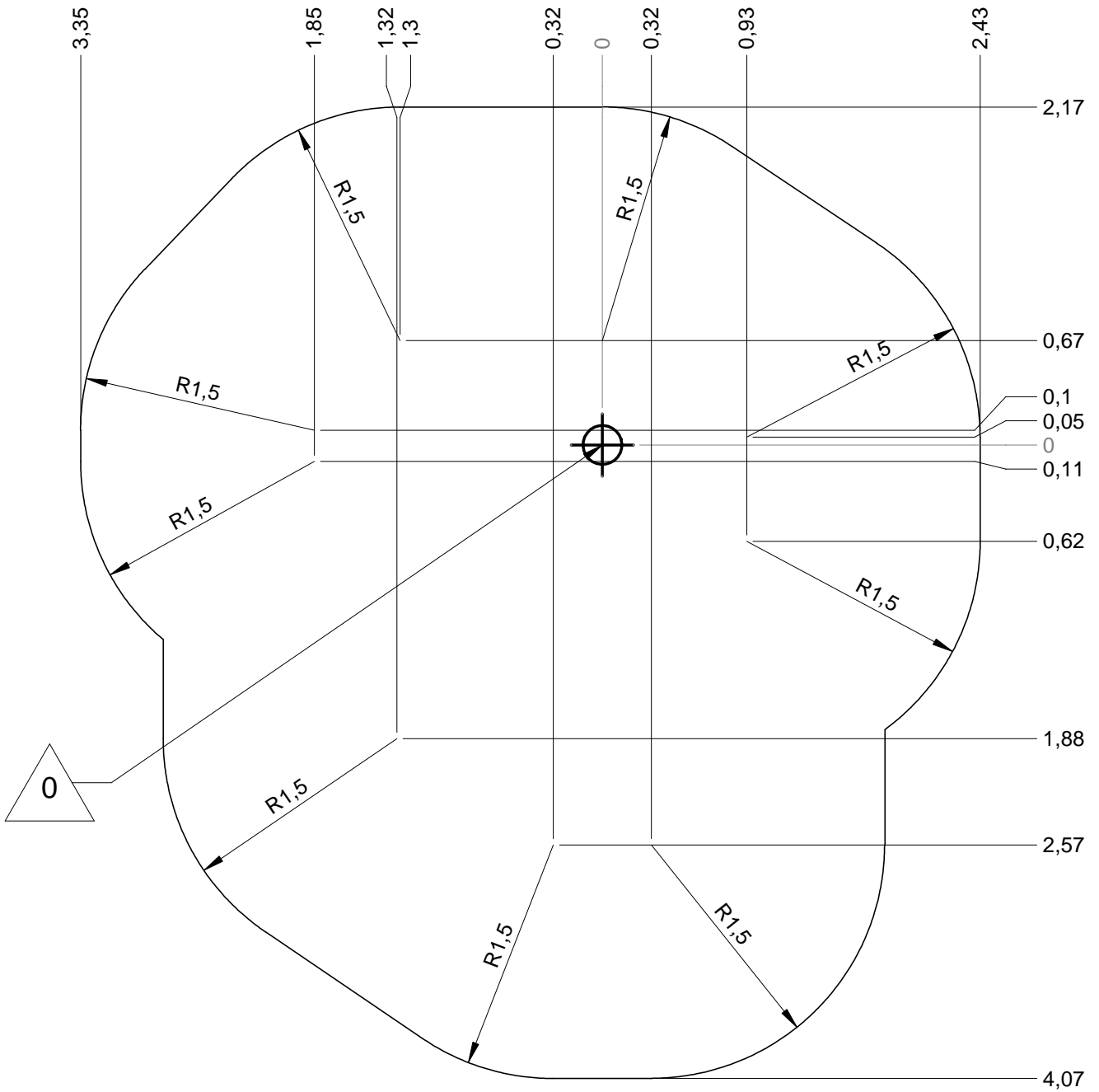




G3742A	1
G3744A	1
G3746A	1
G3747	2
G3748	1
G3749	1
G3750A	1
G3757	1
G3762A	1
G3764	1
G3771	1
G3778	2
G3780	1
G22215N	12

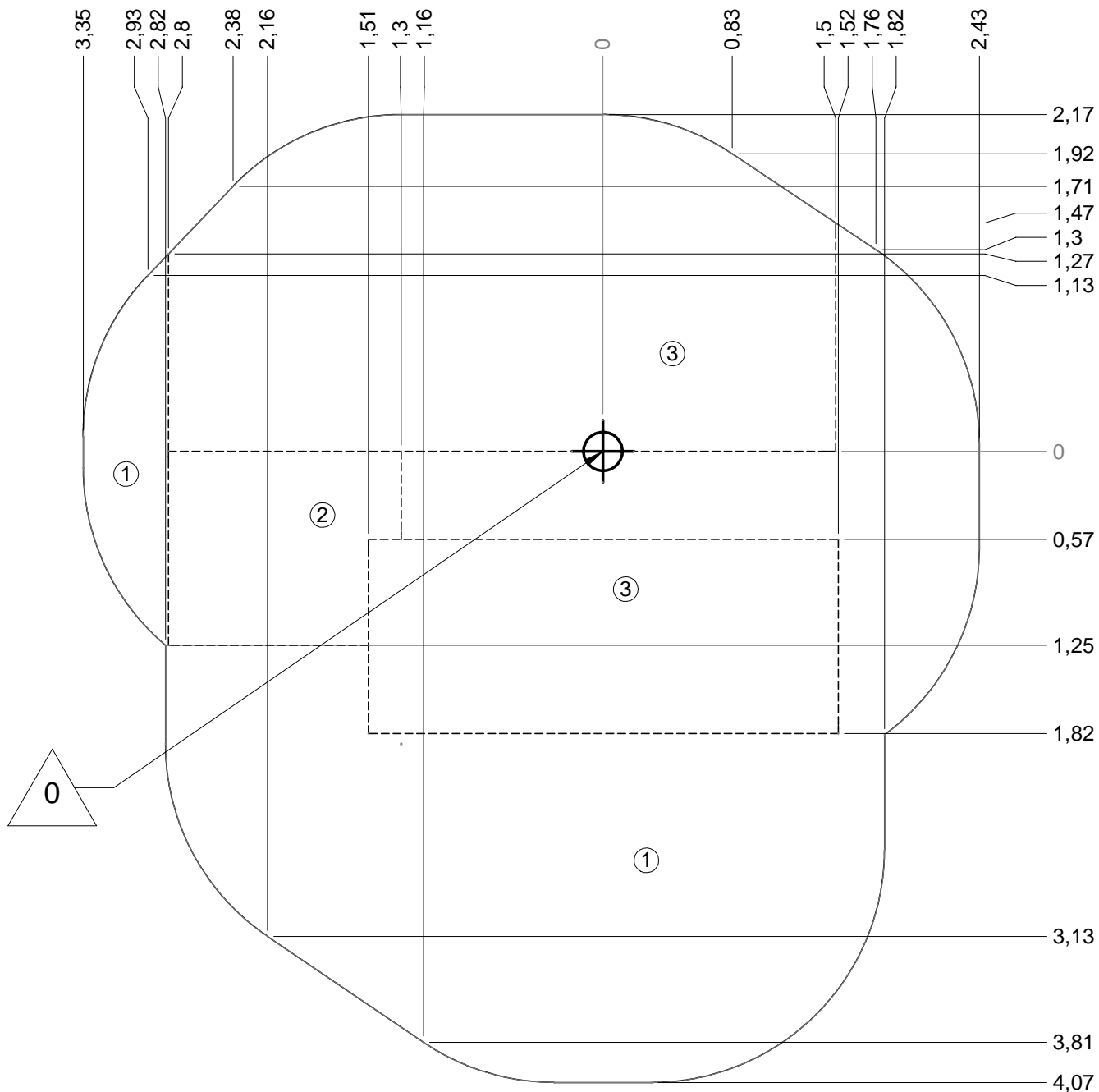
— Zone d'impact
 Impact area
 Area de impacto
 Fallraum
 Valzone

29 m²



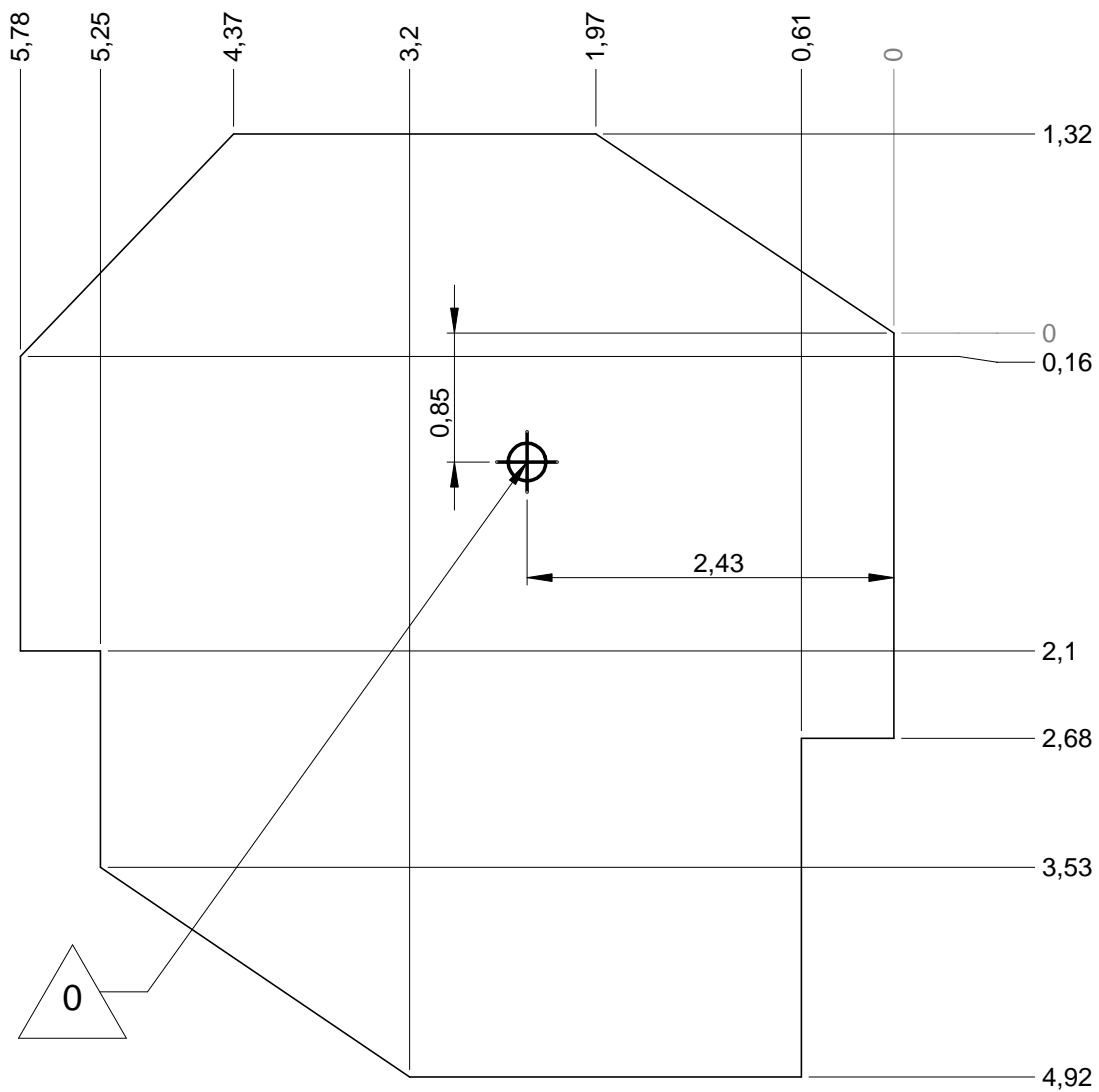
— Sol souple
 Wetpour
 Caucho continuo
 Synthetischer Fallschutz
 Gietvloer

29 m²

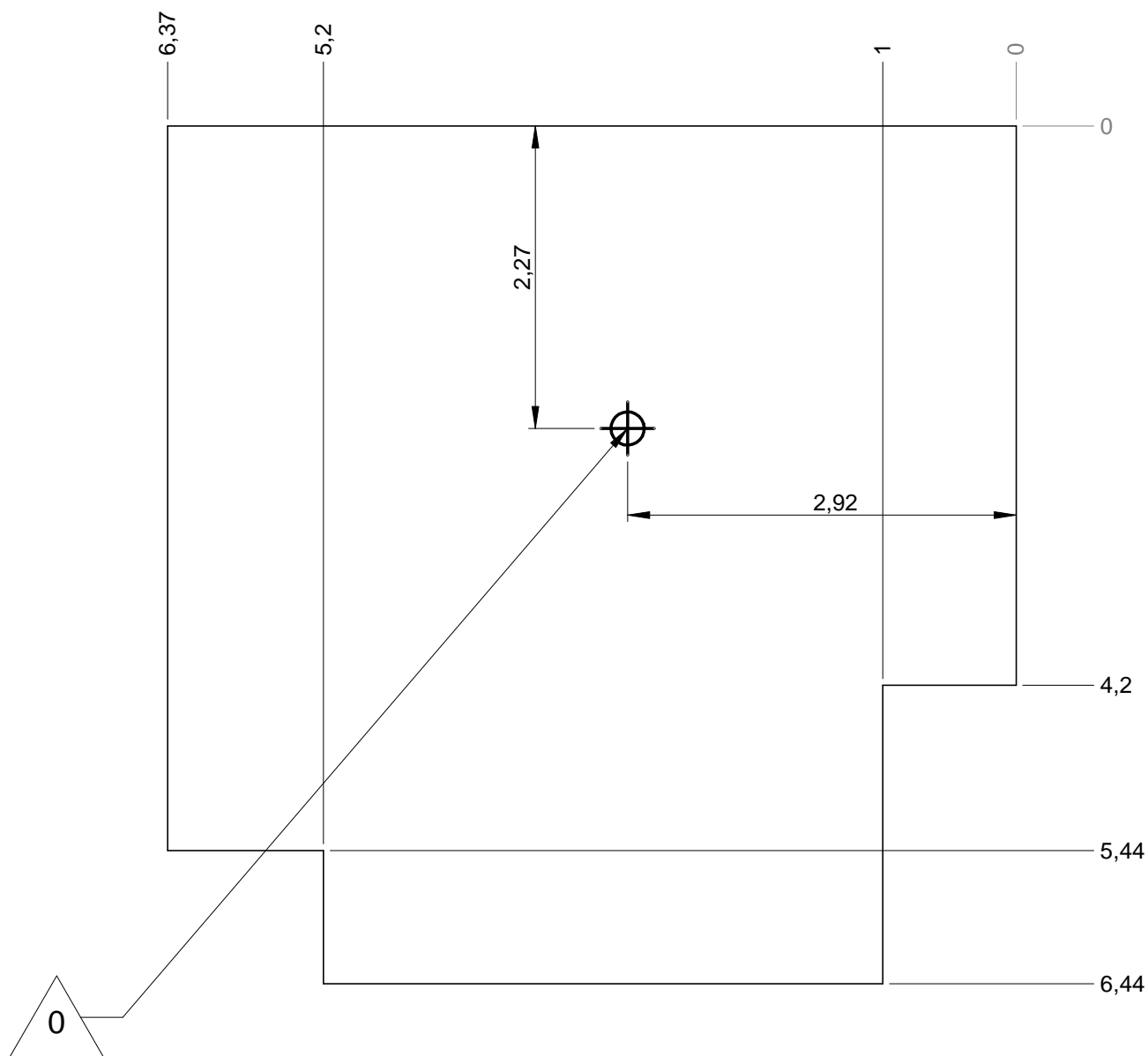


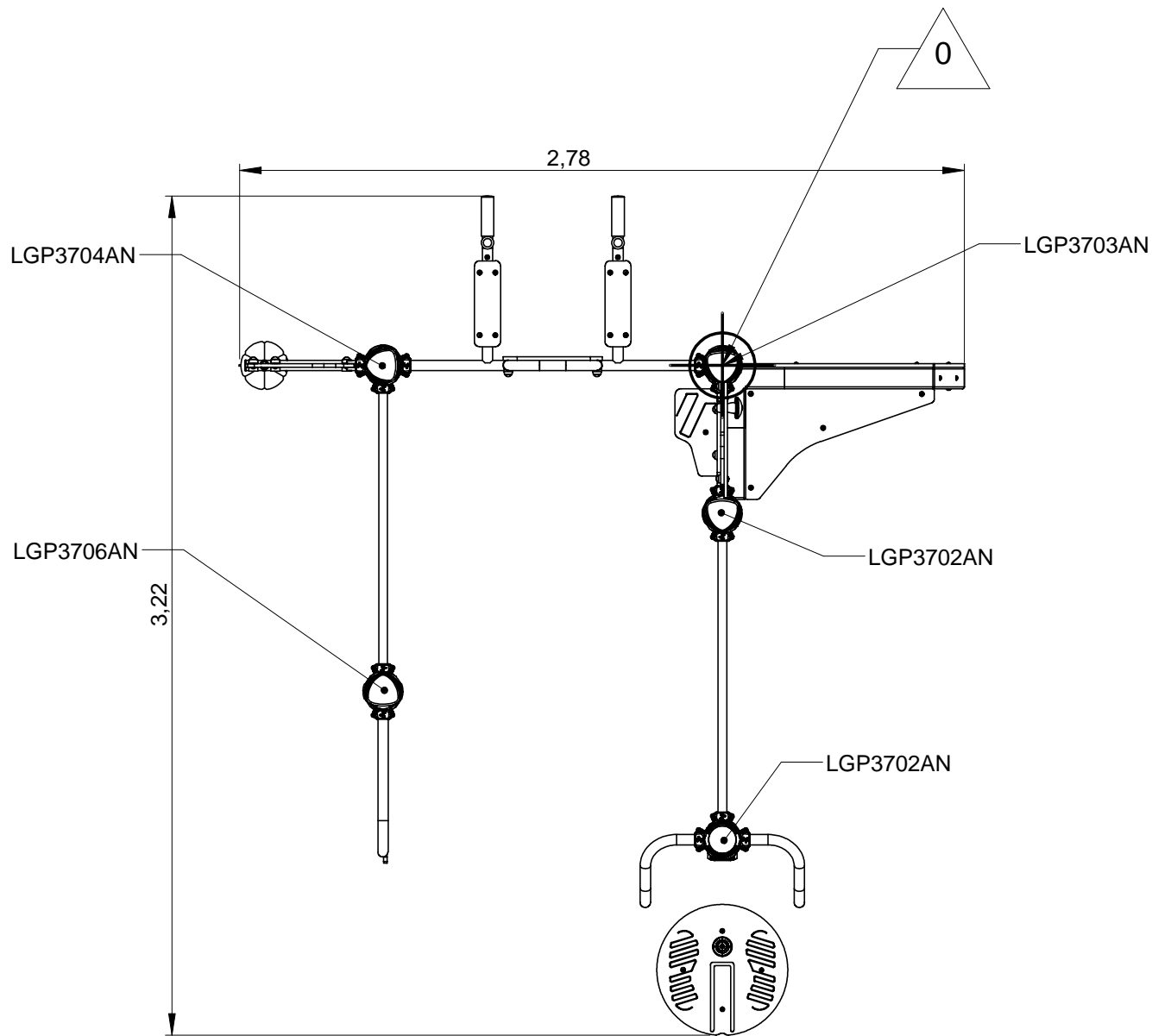
— Dalle béton
 Concrete pad
 Solera de hormigon
 Beton Bodenplatte
 Betonnen bodemplaat

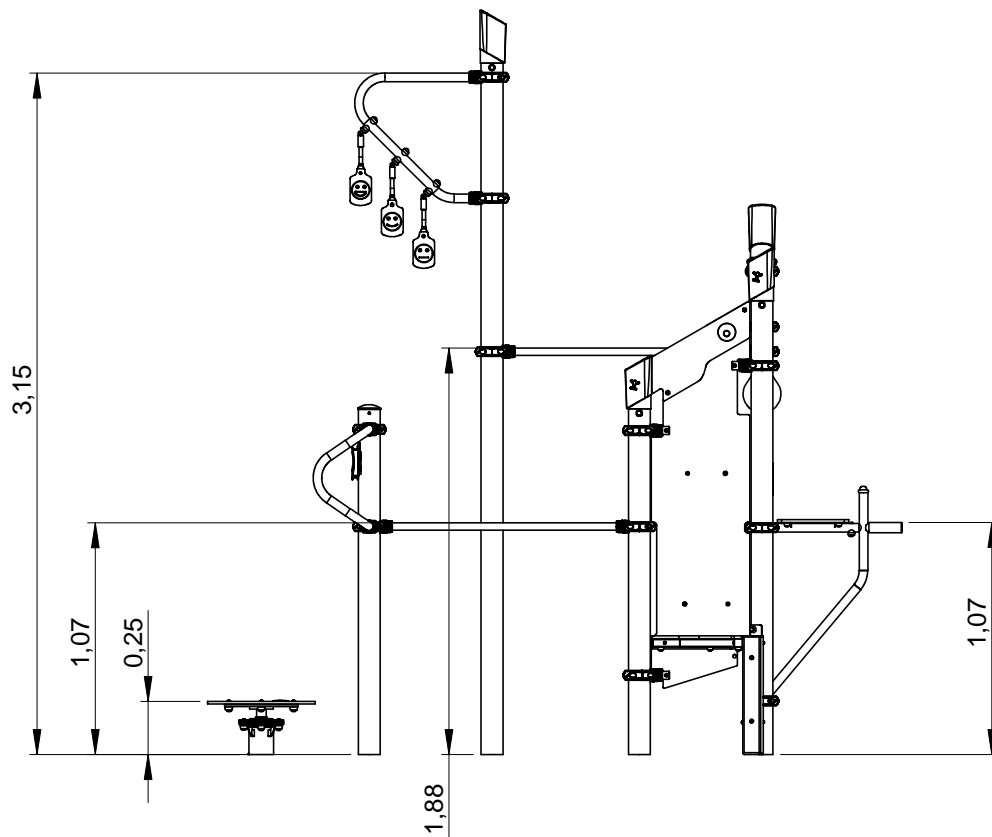
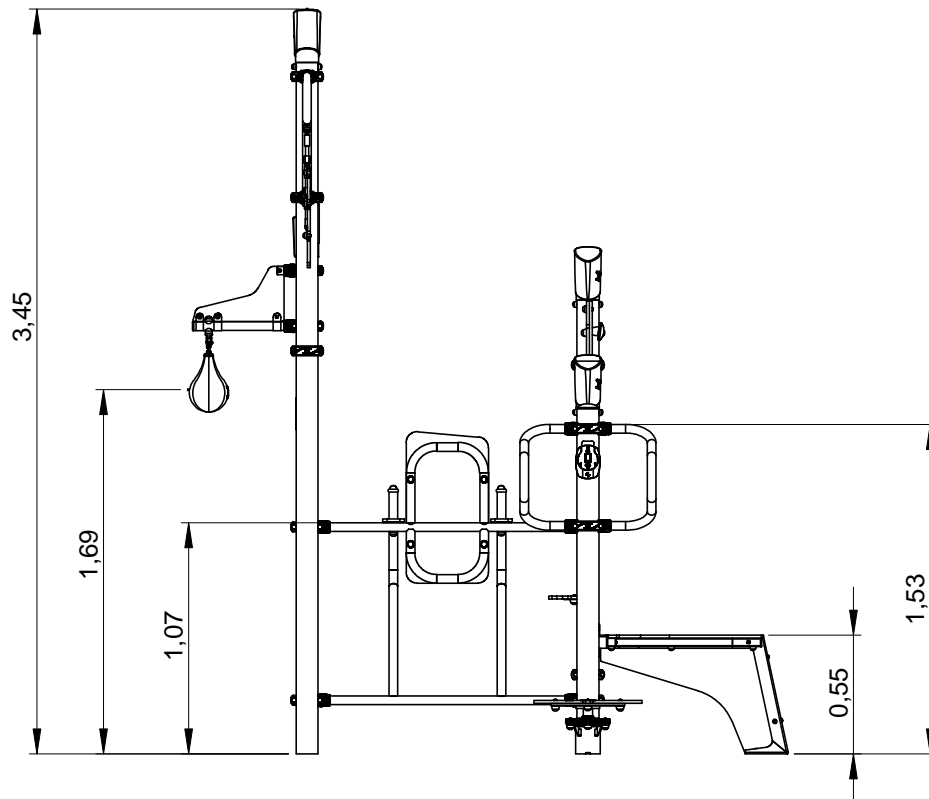
22 m
 30 m²



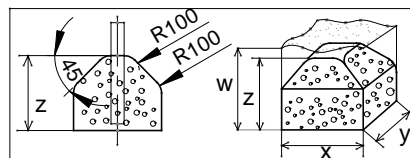
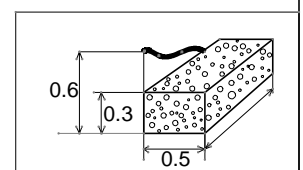
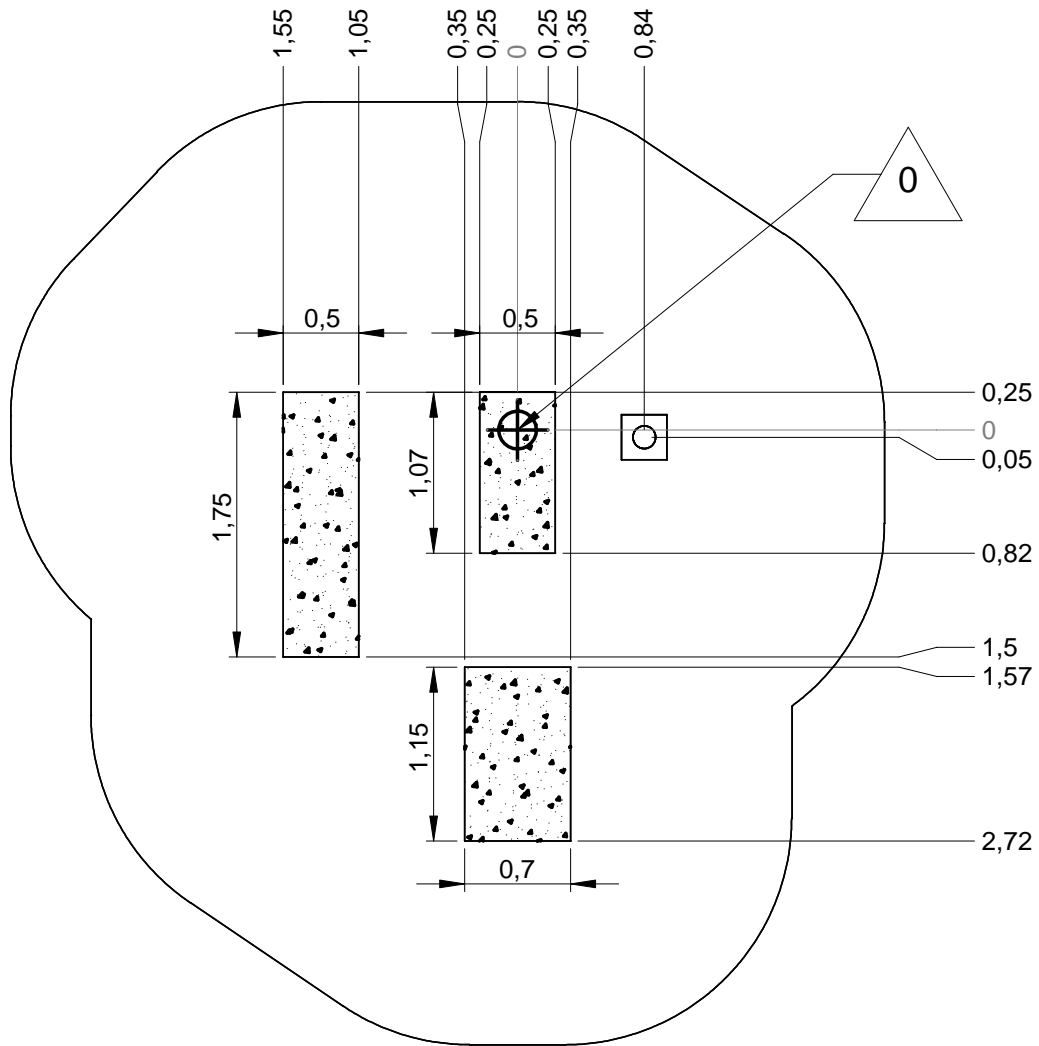
— Sol fluent
 Loos partucule material 27 m
 Arenero
 Loses Bodenmaterial 38 m²
 Los bodemmaterial









Implantation
 Footing plan
 Implantación
 Fundamentplan
 Funderingstekening



	x	y	z	w
	0.3	0.3	0.3	0.6
	0.5	0.5	0.4	0.6



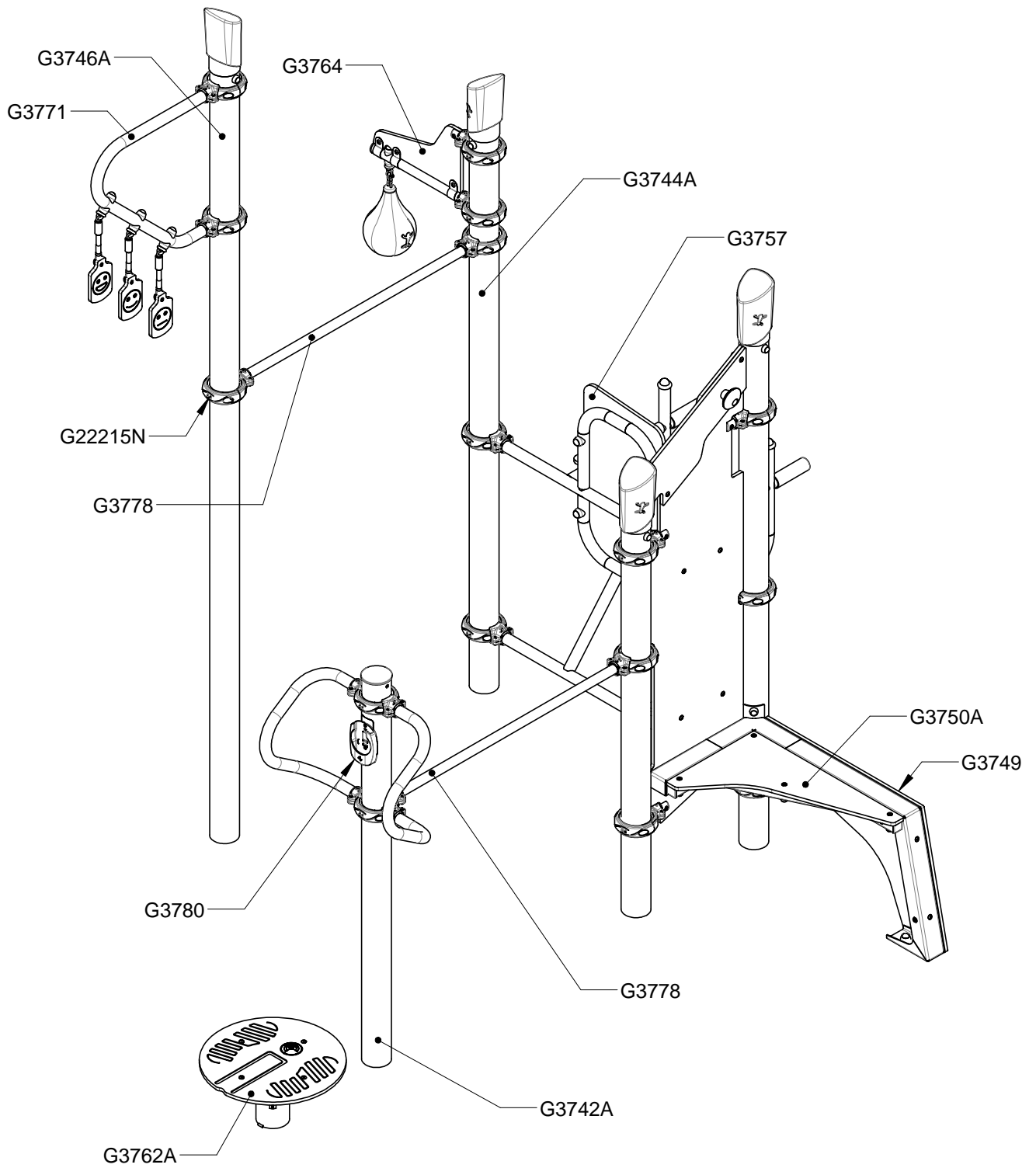
x2

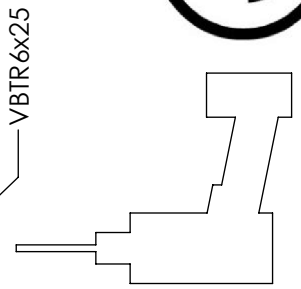
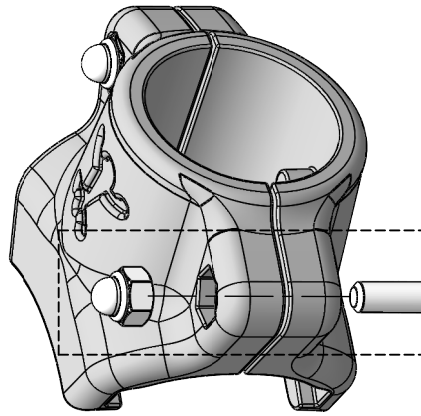
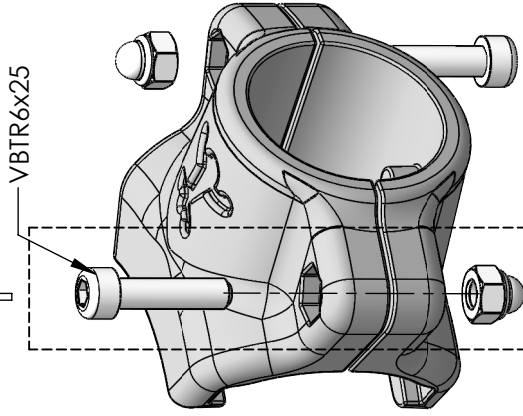
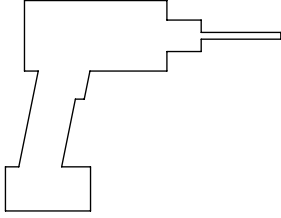


15H

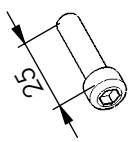


0.7 m³

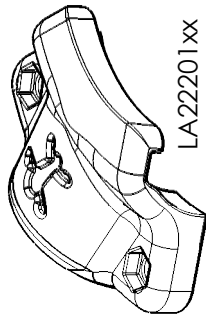




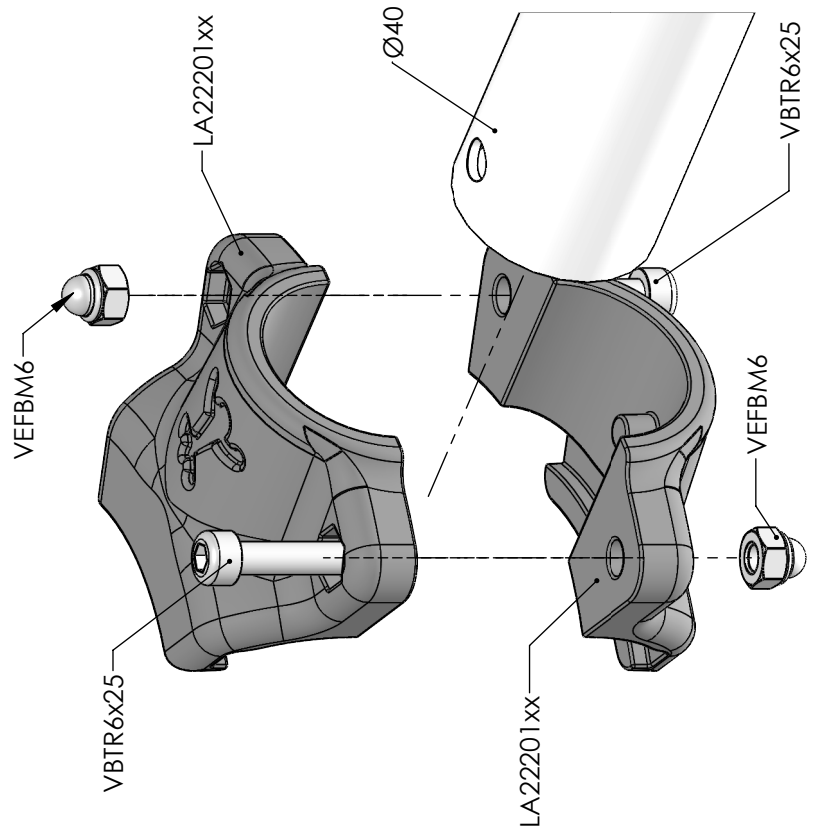
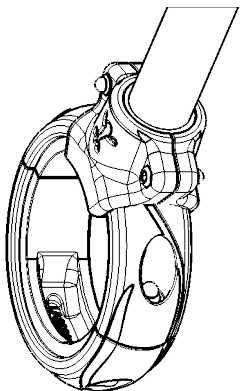
Réf	Qté
LA22201xx	2
VBTR6x25	2
VEFBM6	2

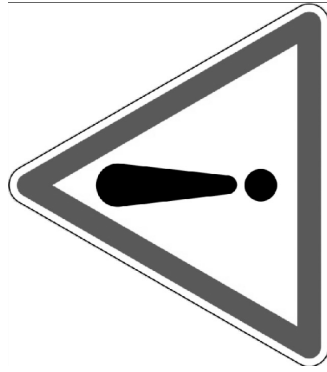
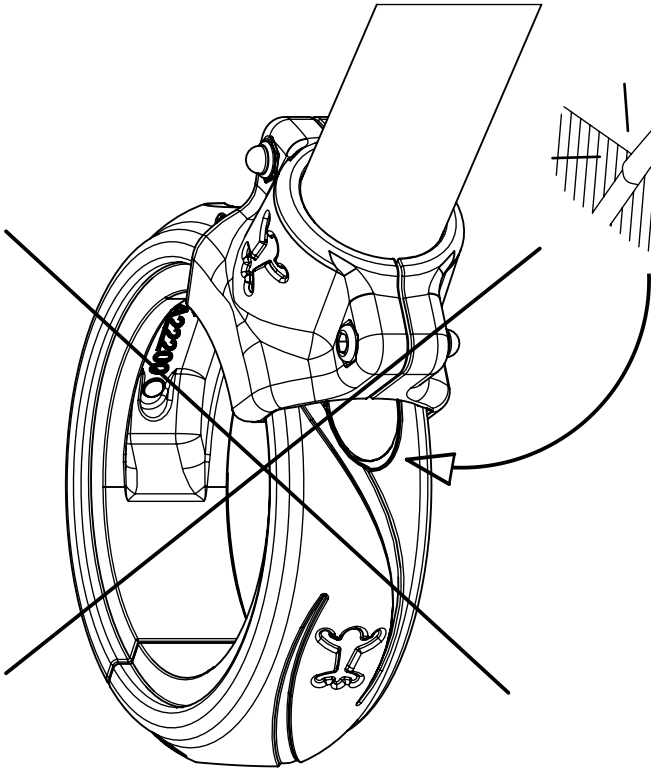
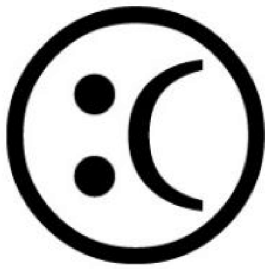


25
VBTR6x25

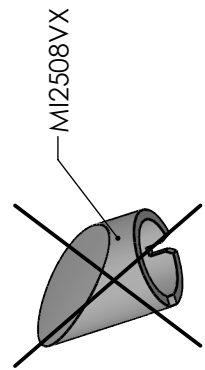
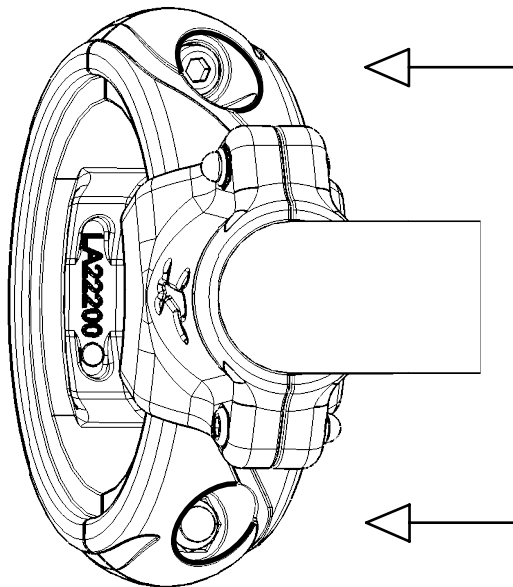
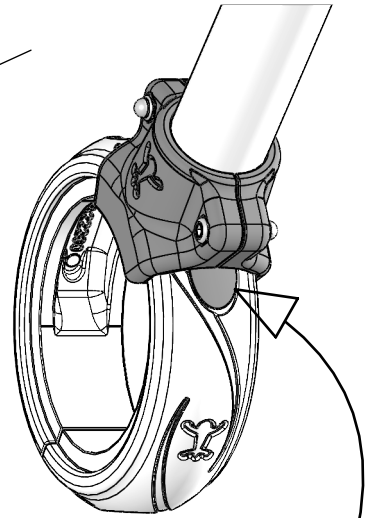
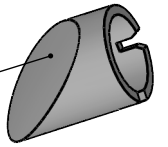


LA22201xx

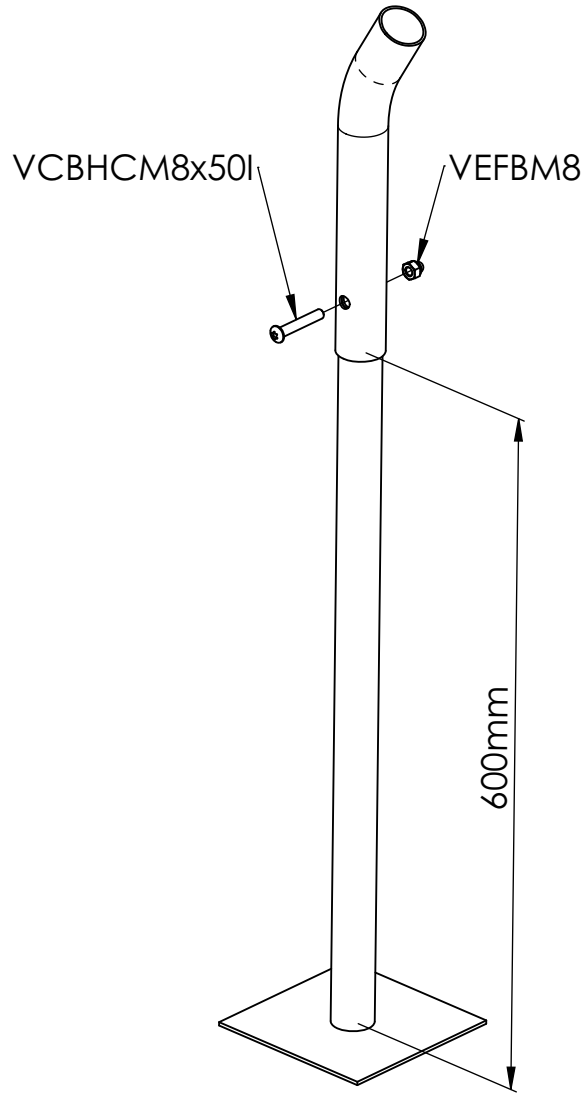


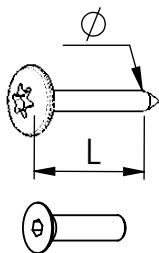


MI2508VX



MI2508VX





VBT 6 x 30
 \varnothing \uparrow L (mm)

VFHC



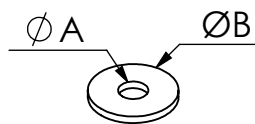
VEC M10
 \varnothing



VEF



VEB

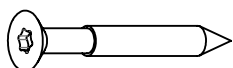


VR6x18
 $\varnothing A$ $\varnothing B$

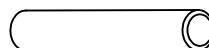
1000 - 1800 tr/min
 Vitesse de rotation
 Rotation speed

14 N.m
 Couple de rupture
 Torque of break

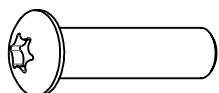
VTHA



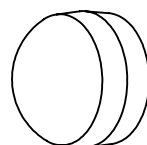
VWT



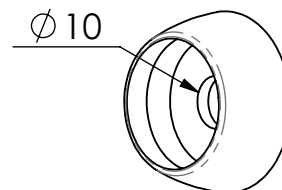
VGC



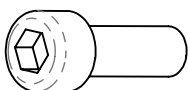
VCBHC



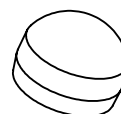
M10 440N



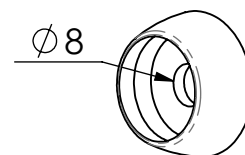
M10 310 N



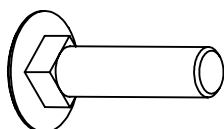
VBTR



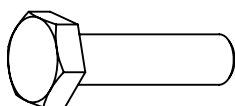
M8440N



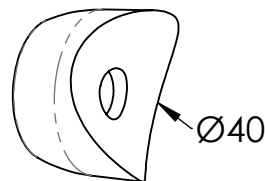
M8310N



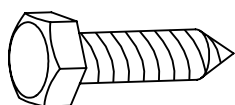
VTRCC



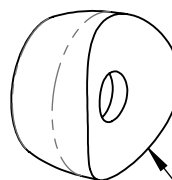
VTH



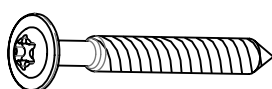
MI2503



VTF

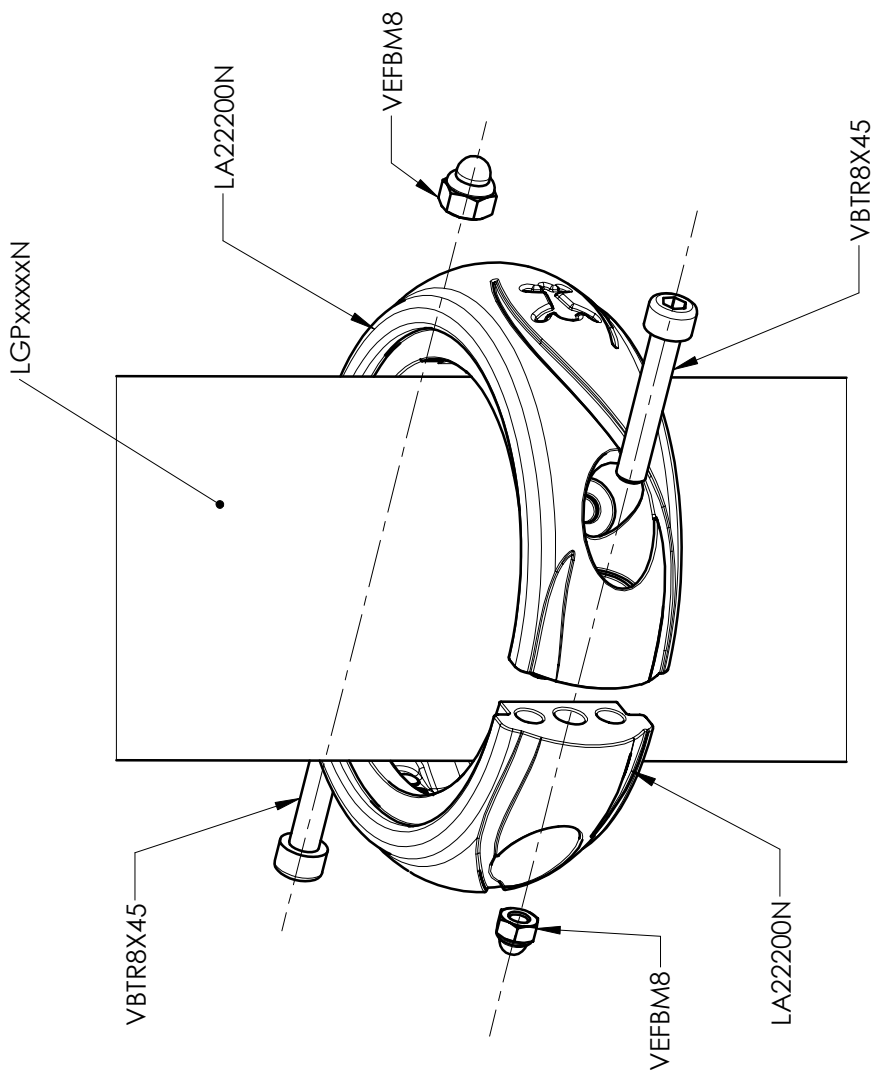


MI2701



VBT

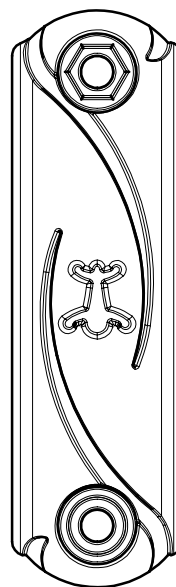
Réf	Qté
LA22200N	2
VBTR8X45	2
VEFBM8	2
MI2508N	4



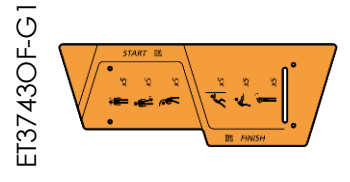
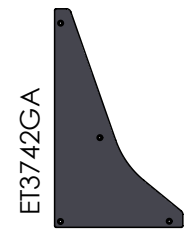
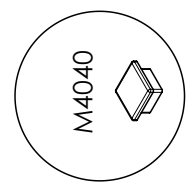
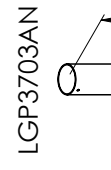
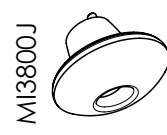
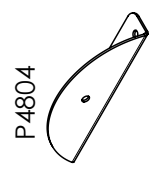
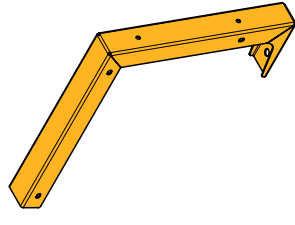
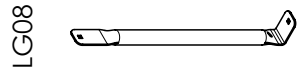
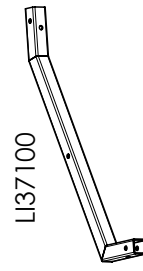
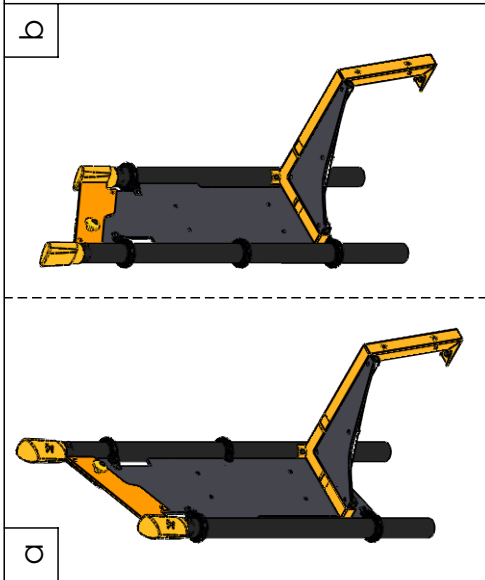
VBTR8X45



VEFBM8

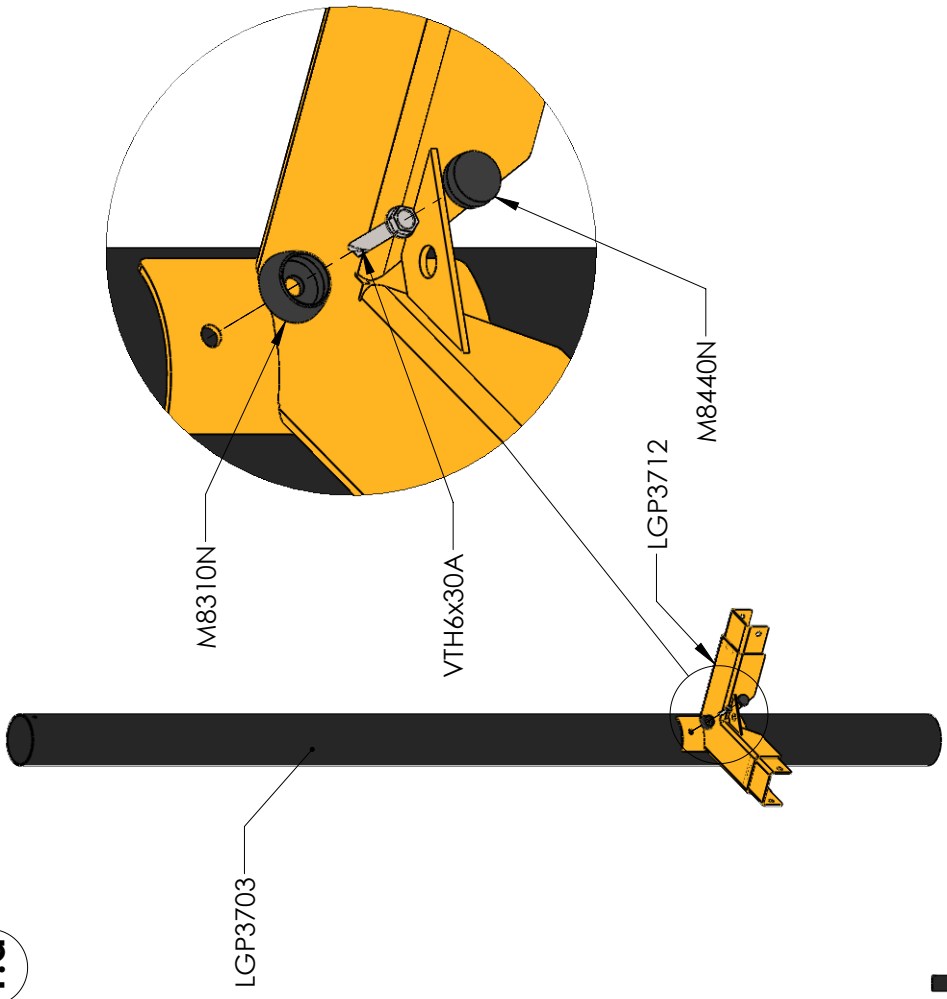


LA22200N

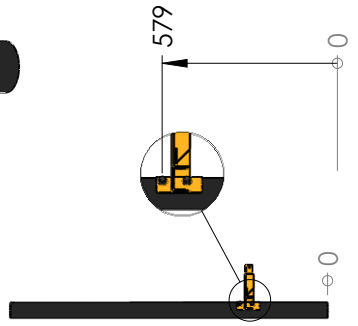
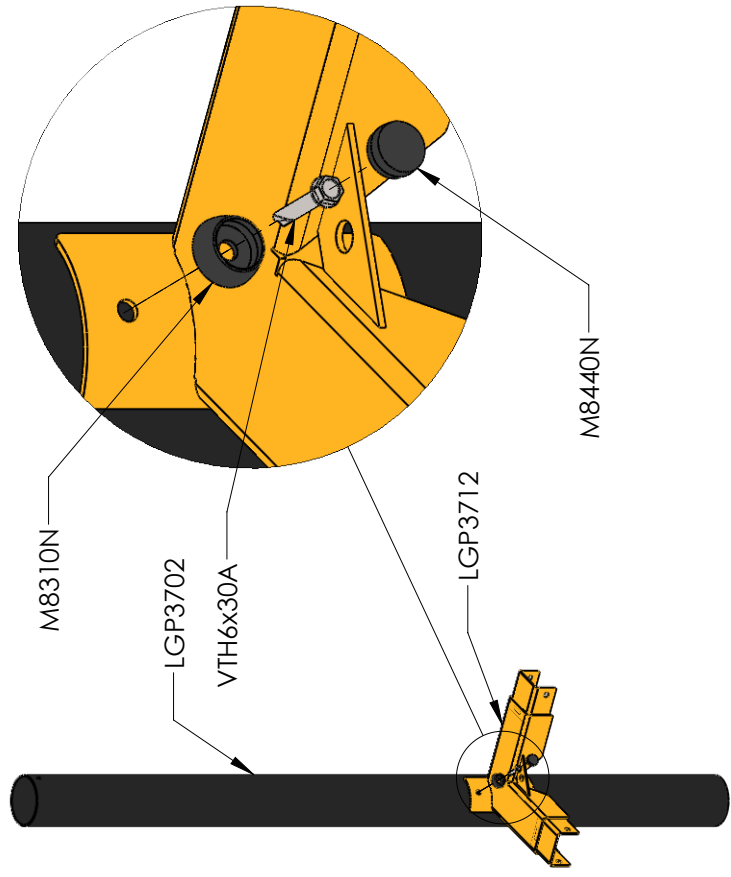


Réf	Qté	Réf	Qté
ET3741GA	1	M12508N	16
ET3742GA	1	M13800J	1
ET3743OF-G1	1	P4804	1
ET3744OF	1	VBTR6x25	6
ET3745GA	1	VBTR8x45	8
LA22200N	8	VCBHCM8x20I	3
LA22201N	6	VCBHCM8x30I	5
LG08	1	VCBHCM8x60I	2
LGP3702AN	1	VCBHCM10x20I	3
LGP3703AN	1	VCBHCM10x30I	1
LGP3710RAL1028	1	VCBHCM10x40I	4
LGP3715RAL1028	1	VCBHCM10x50I	2
LGP3716RAL1028	1	VECM10	2
LI37100	1	VEDM8	3
M11	1	VEFBM6	6
M450	2	VEFBM8	8
M3700	2	VEFM8	11
M4040	2	VEFM10	11
M8310N	10	VFHCM8x30	1
M8440N	10	VFHCM8x65	3
M10310N	11	VR8x18	10
M10440N	12	VTH6x30A	6
M22201	3	VTH10x100	1
		VTRCC10x80	1

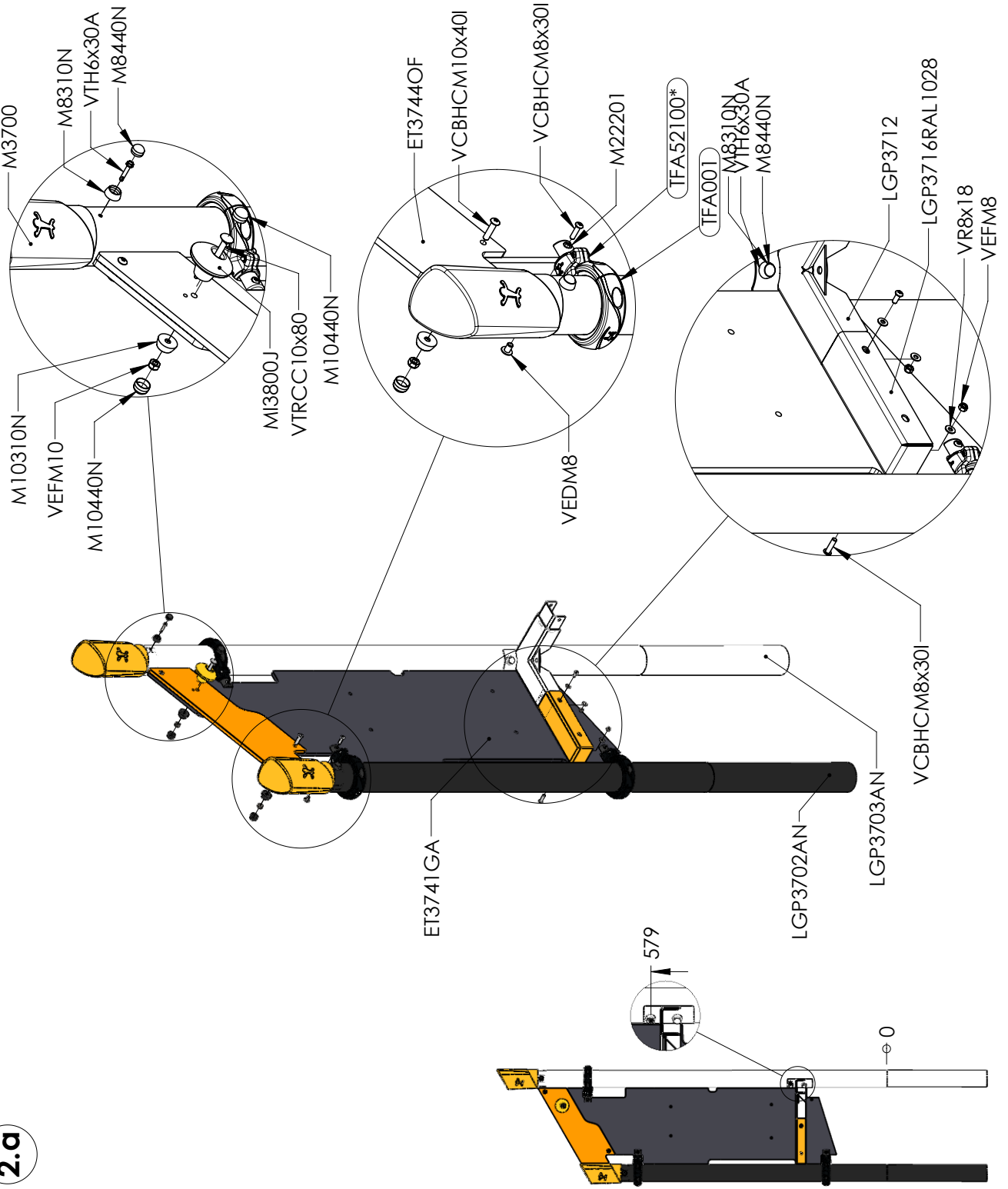
1.a



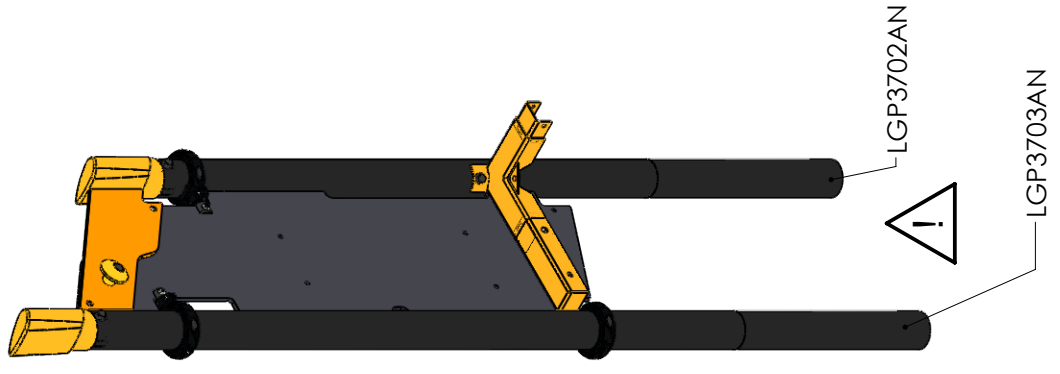
1.b



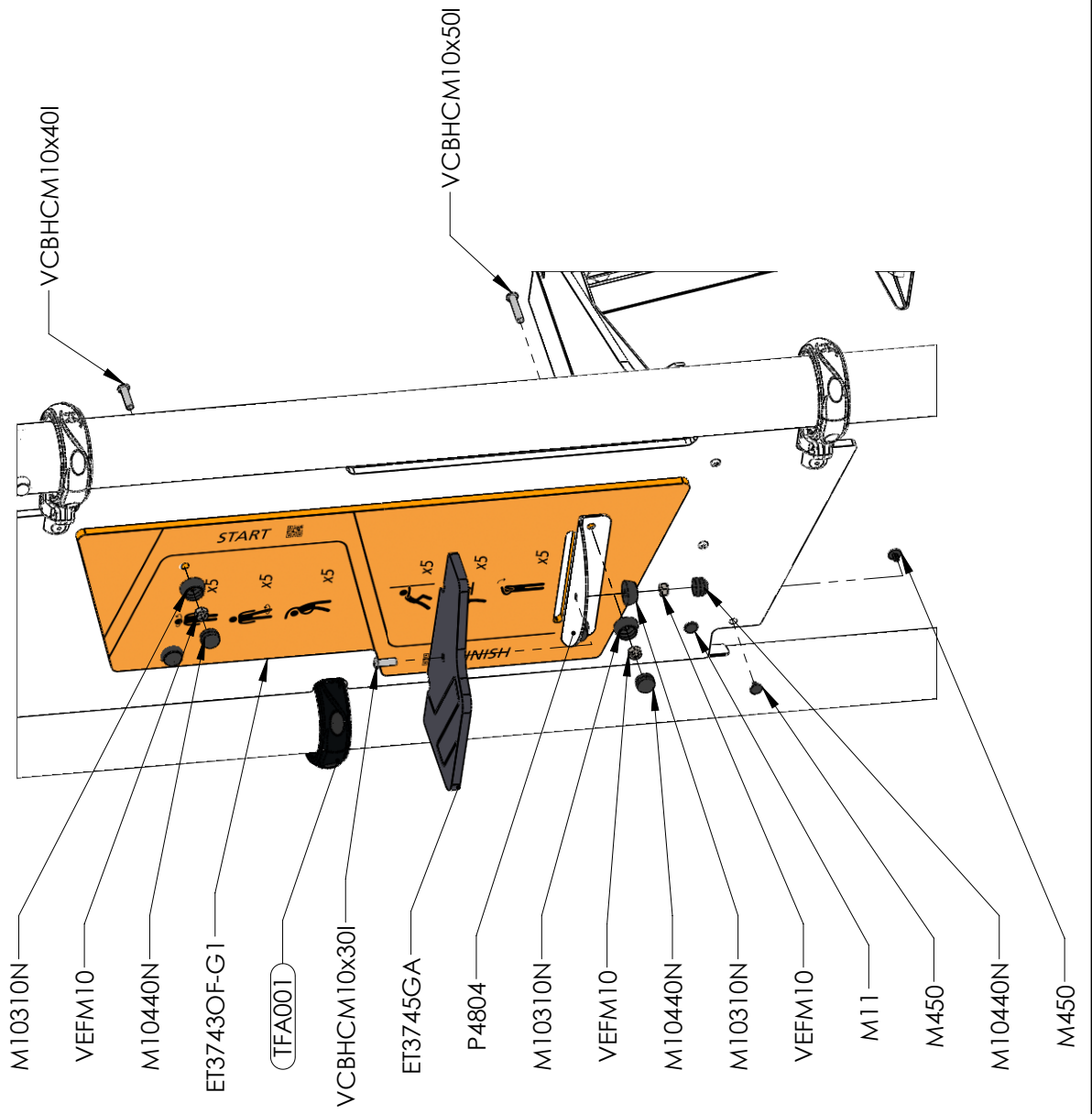
2.a

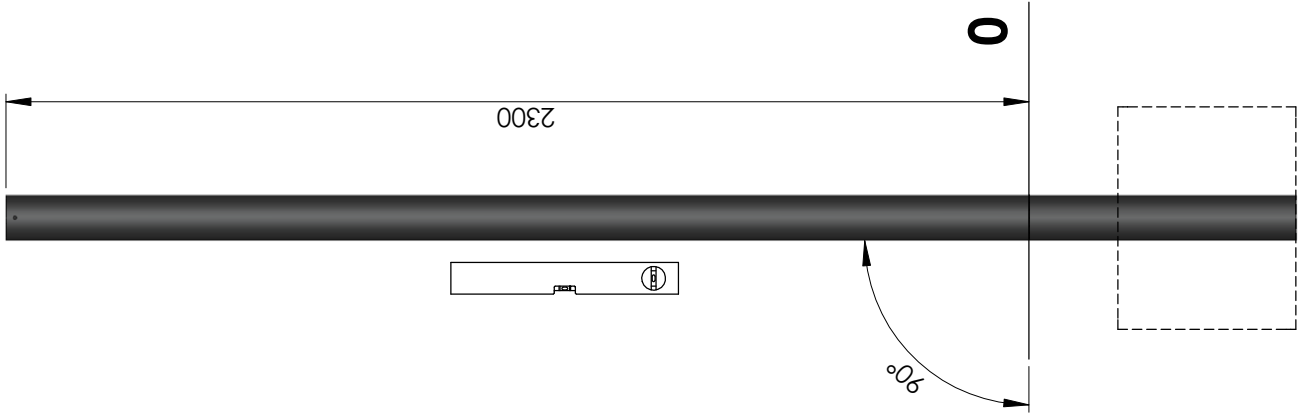


2.b

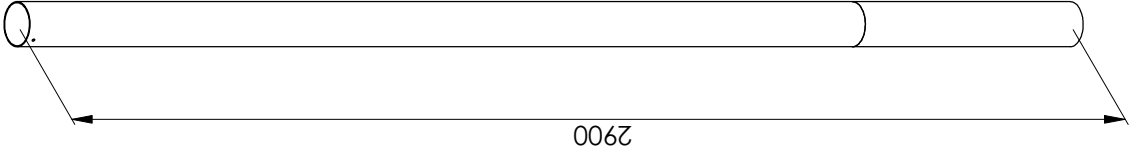


3

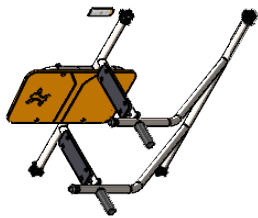




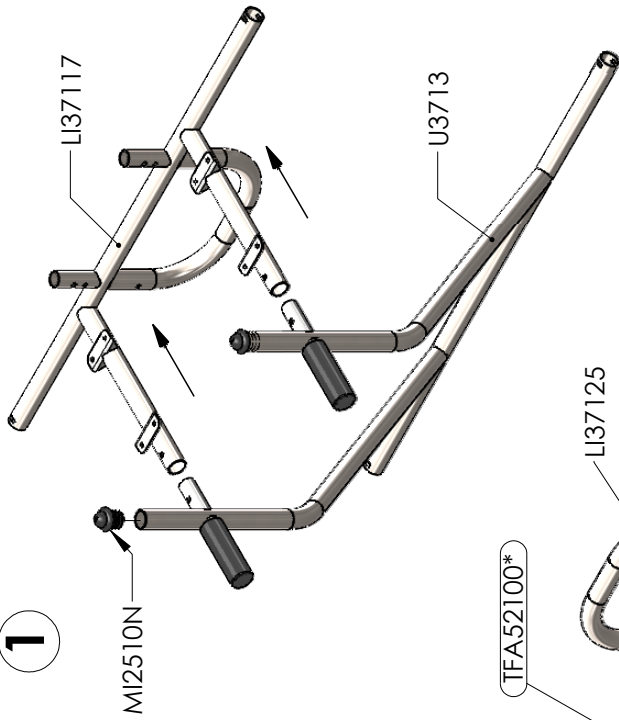
LGP3704AN



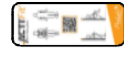
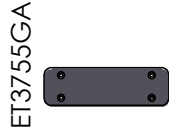
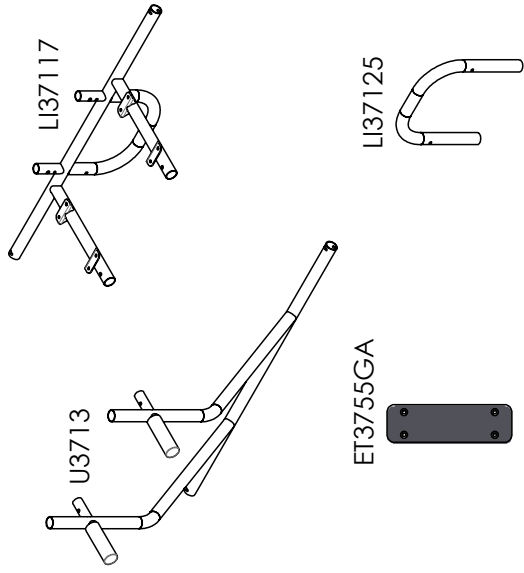
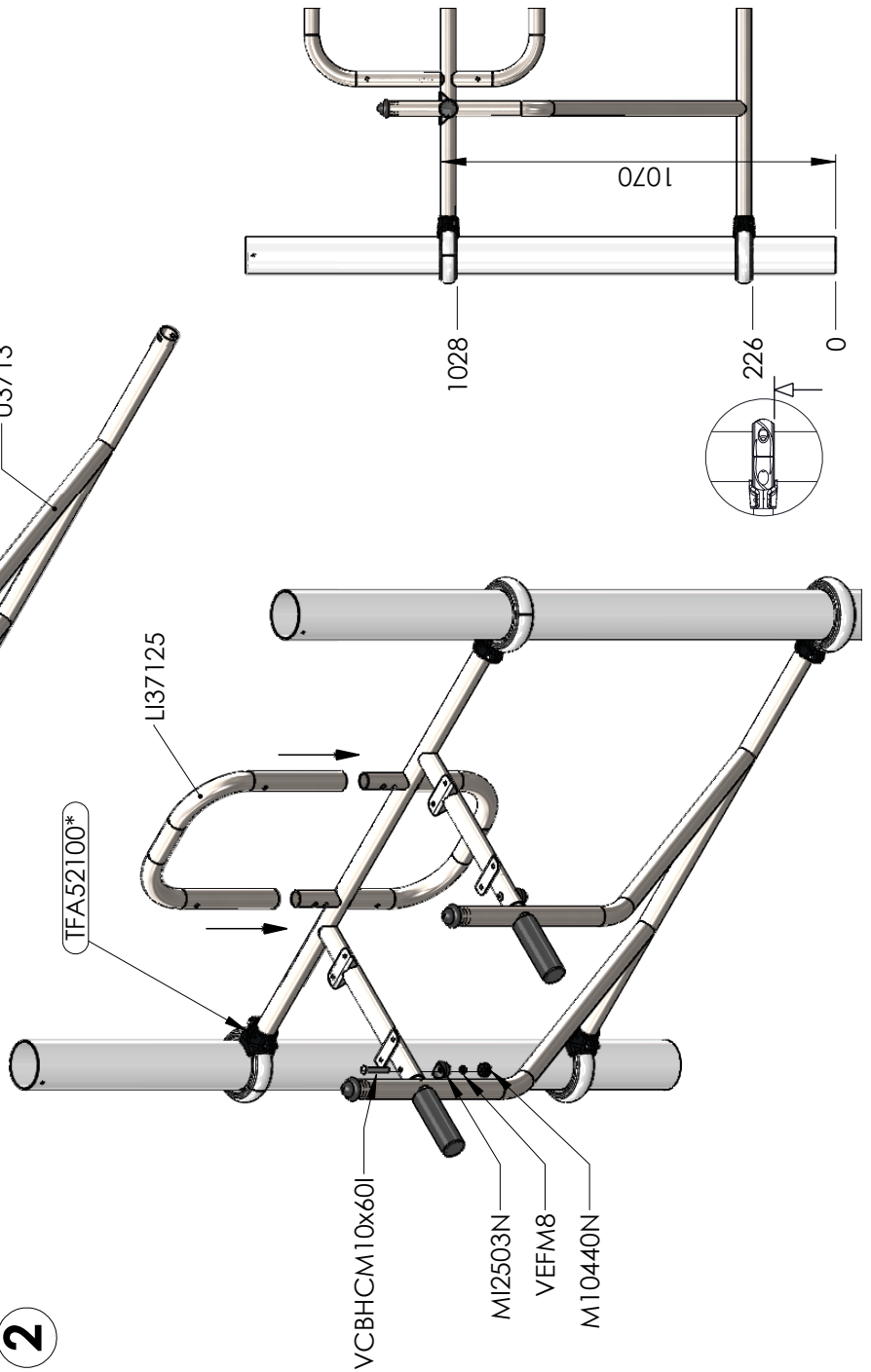
Réf	Qté
LGP3704AN	1



1

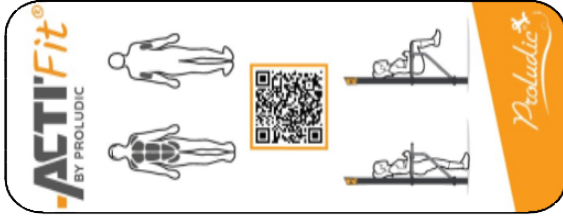
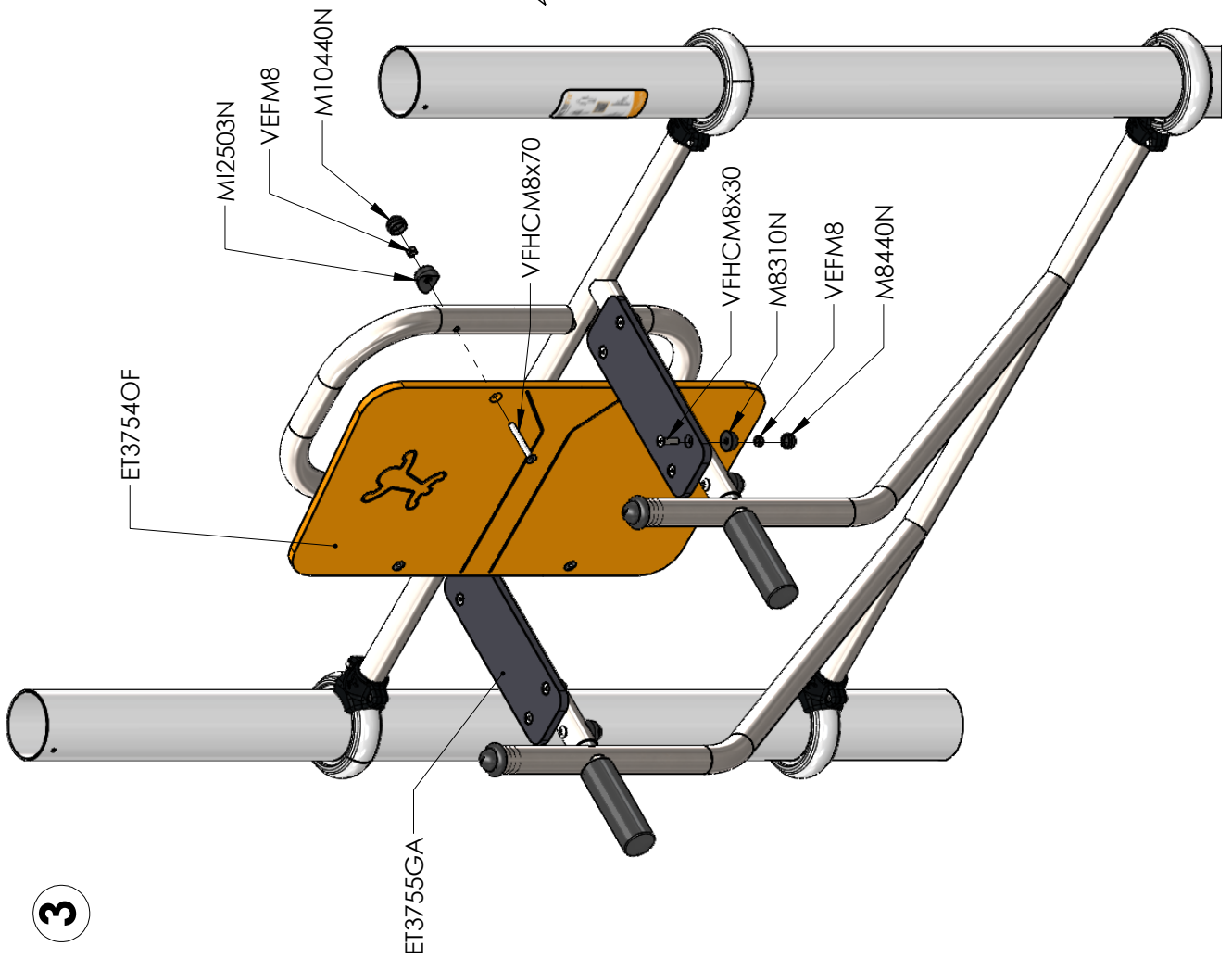


2

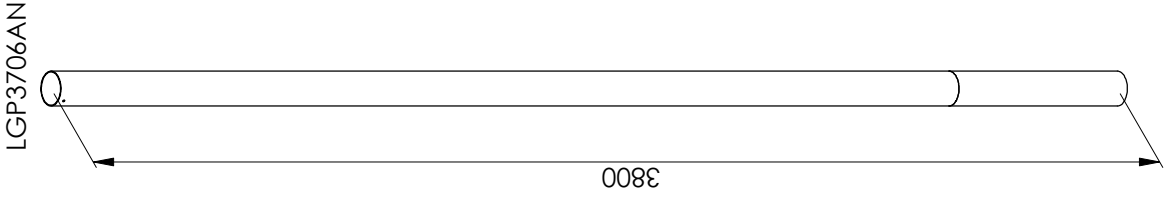
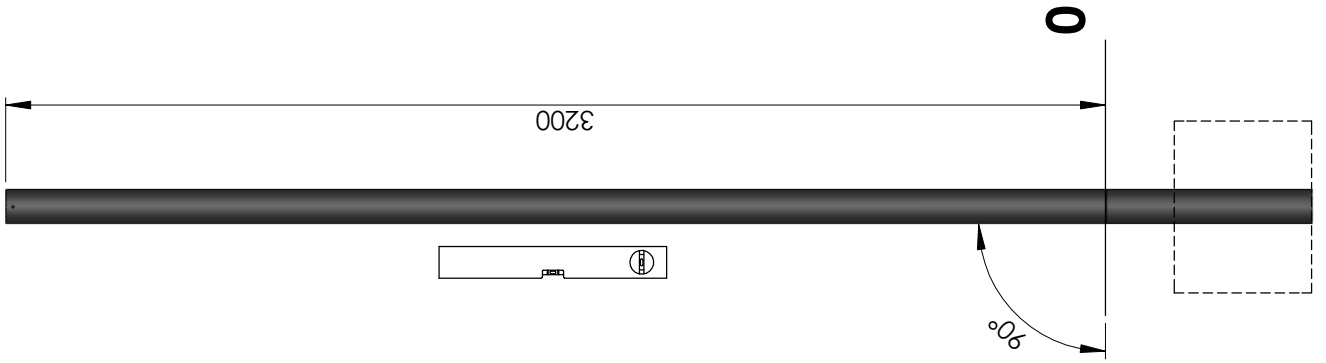


Réf	Qté
ET3754OF	1
ET3755GA	2
LA22201N	8
LI37117	1
LI37125	1
M8310N	8
M8440N	8
M10440N	6
MI2503N	6
MI2510N	2
SA3757	1
U3713	1
VBTR6x25	8
VCBHCM10x60I	2
VEFBM6	8
VEFM8	14
VFHCM8x30	8
VFHCM8x70	4

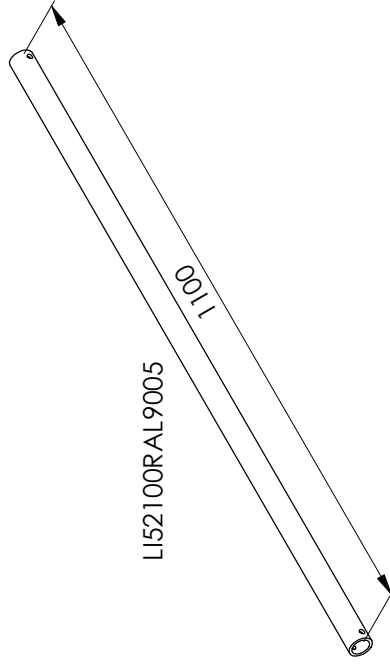
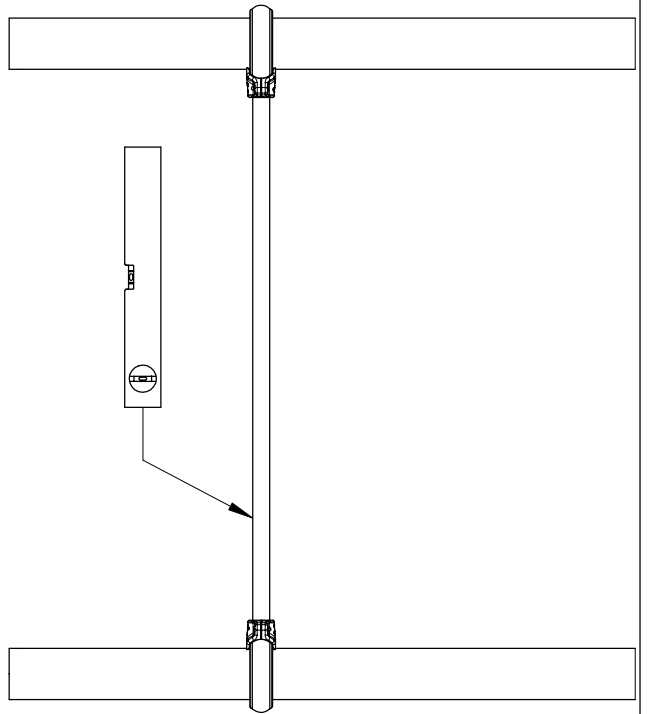
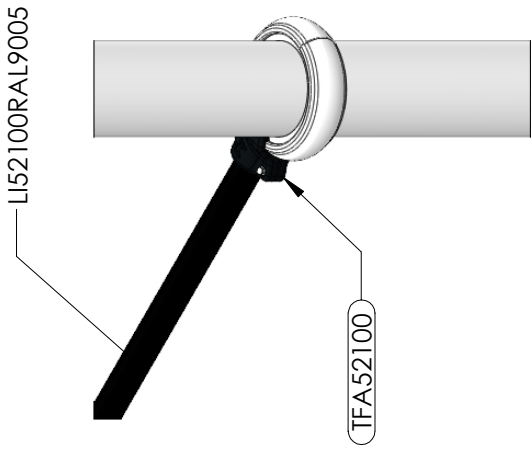
3



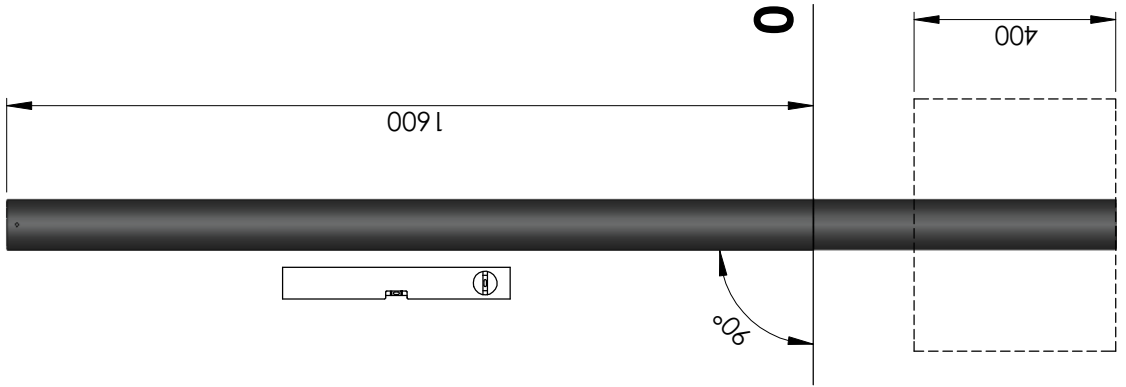
SA3757



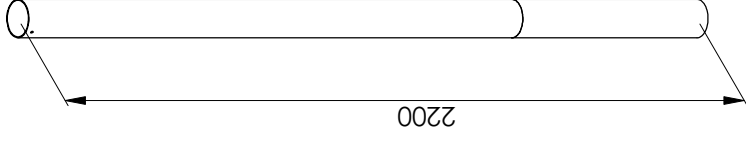
Réf	Qté
LGP3706AN	1



Réf	Qté
LA22201N	4
LI52100RAL9005	1
LI52101	2
VBTR6x25	4
VEFBM6	4



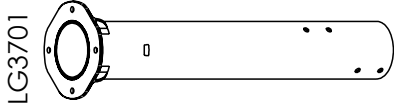
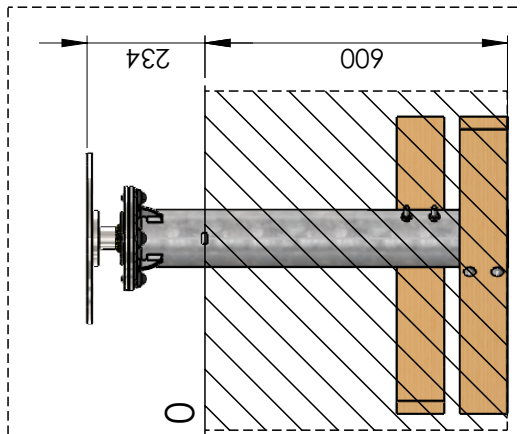
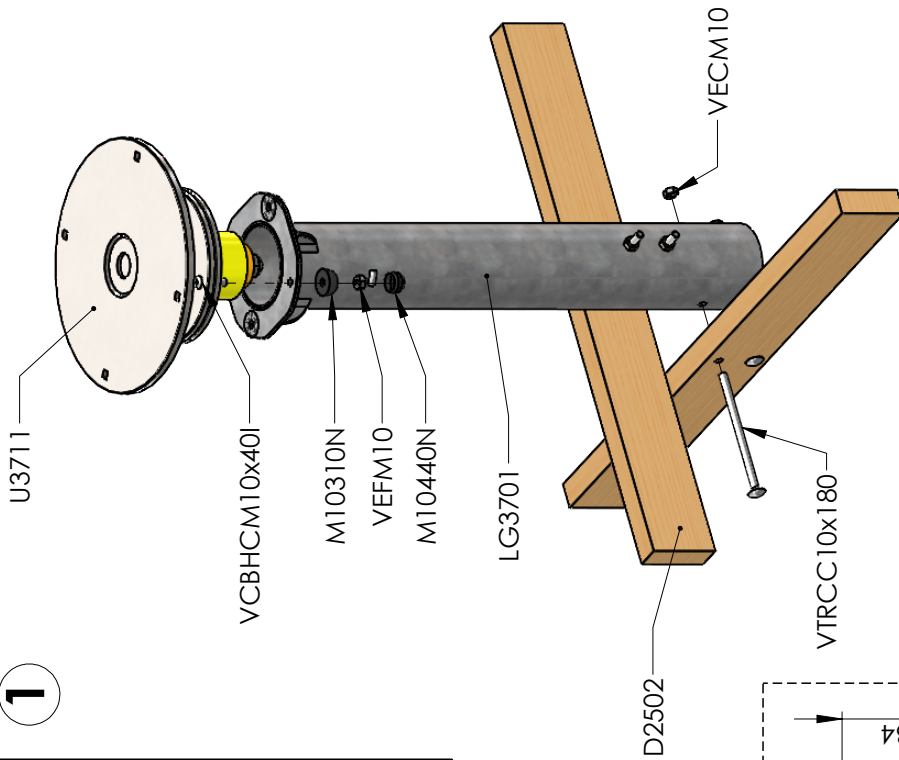
LGP3702AN



Réf	Qté
LGP3702AN	1

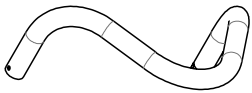


1

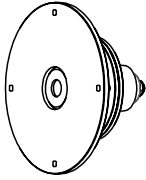


LG3701

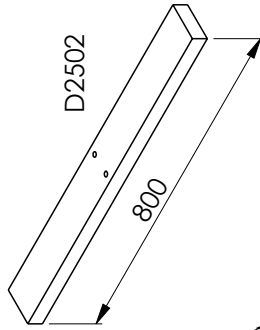
LI37148



U3711



R3701



D2502

800



SA3762



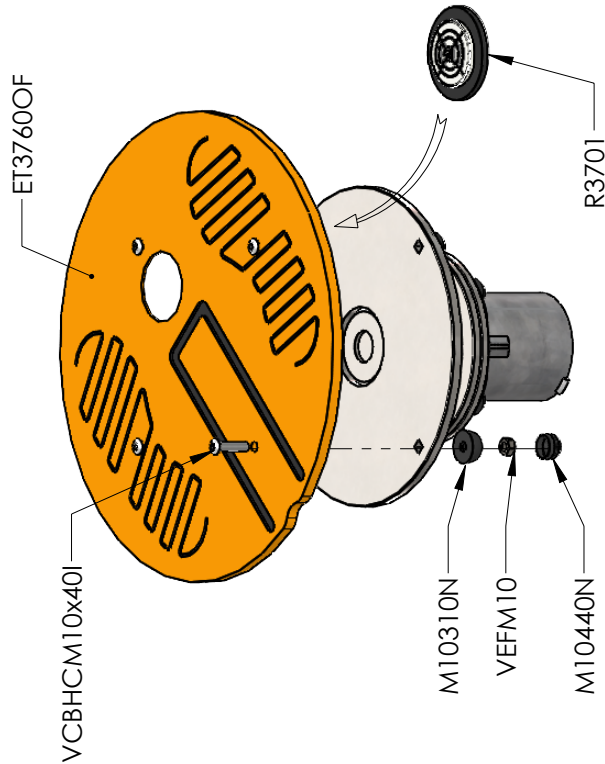
LA22201N



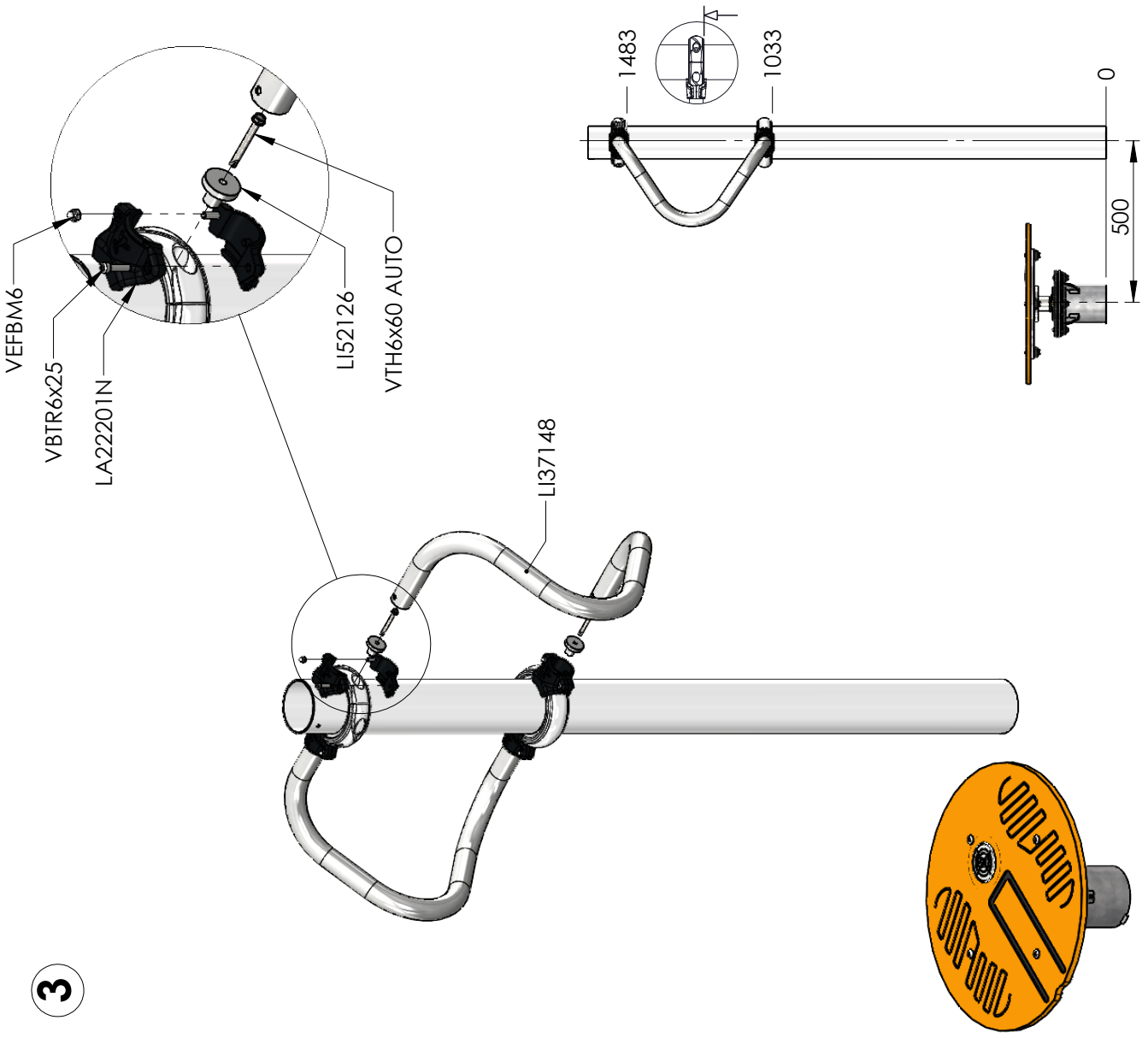
LI52126

Réf	Qté
D2502	2
ET3760OF	1
LA22201N	8
LG3701	1
LI37148	2
LI52126	4
M10310N	8
M10440N	8
R3701	1
SA3762	1
U3711	1
VBTR6x25	8
VCBHC10x40I	8
VECM10	4
VEFBM6	8
VEFM10	8
VTH6x60 AUTO	4
VTRCC10x180	4

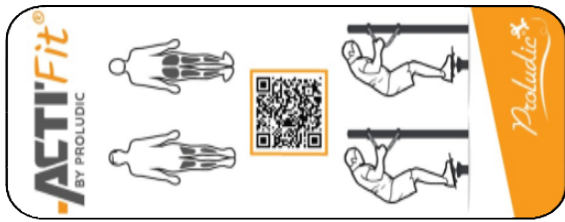
2



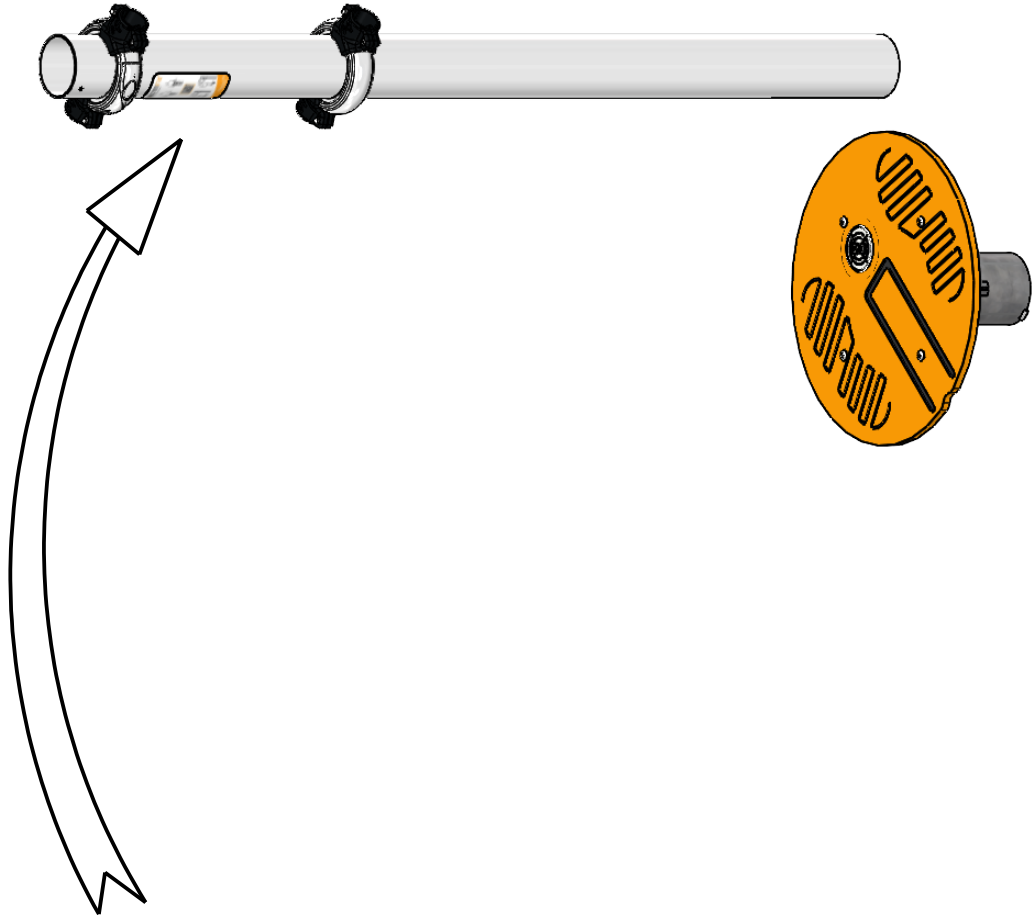
3

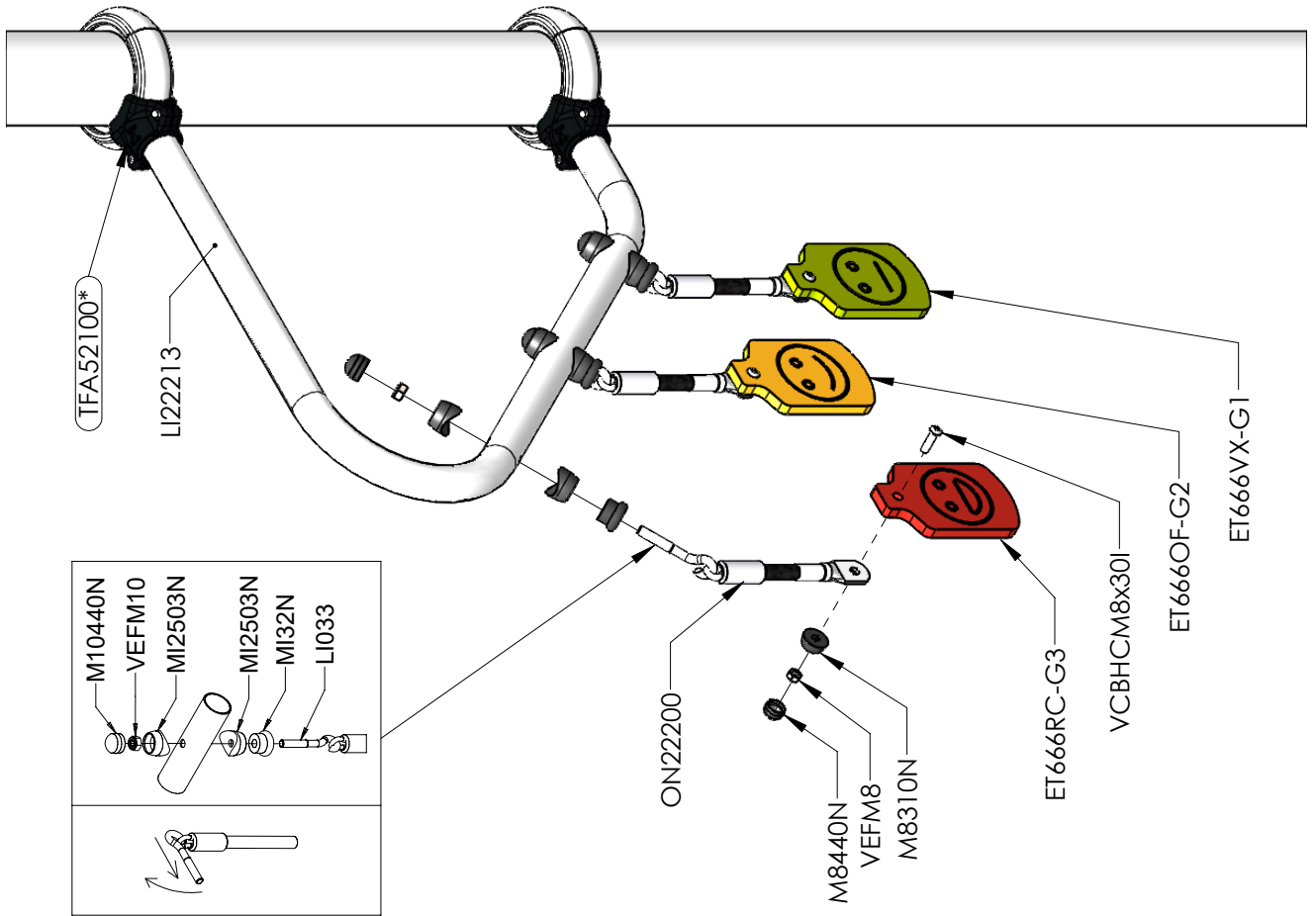


4



SA3762





ET666VX-G1



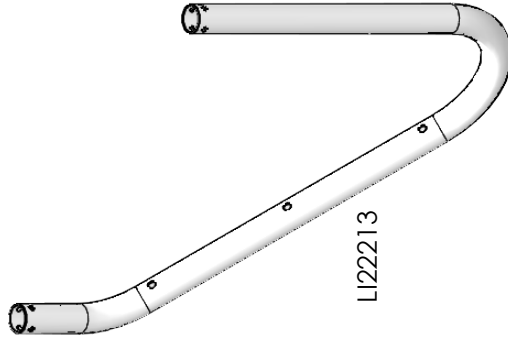
ET666OF-G2



ET666RC-G3

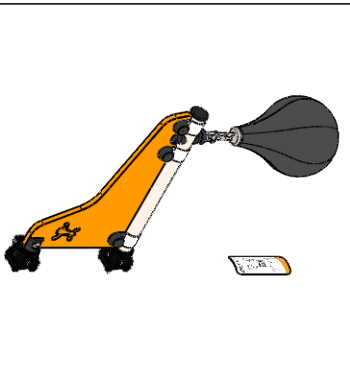


ON22200

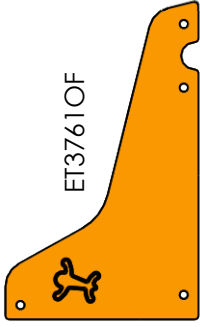
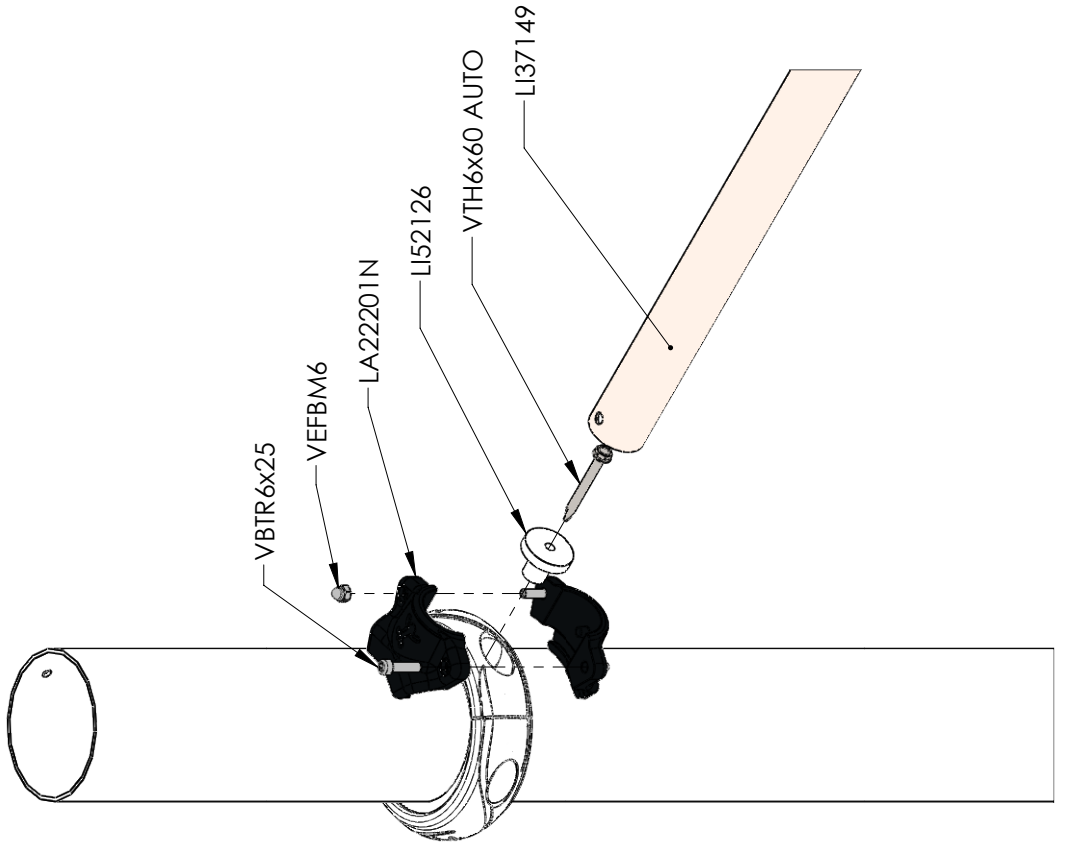


LI22213

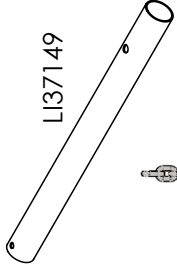
Réf	Qté
ET666OF-G2	1
ET666RC-G3	1
ET666VX-G1	1
LA22201N	4
LI033	3
LI22213	1
M8310N	3
M8440N	3
M10440N	3
MI32N	3
MI2503N	6
ON22200	3
VBTR6x25	4
VCBHC8M8x30I	3
VEFBM6	4
VEFM8	3
VEFM10	3



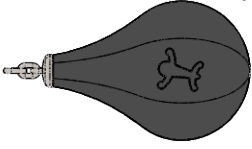
1



ET3761OF



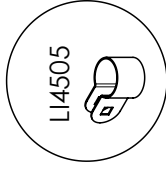
LI37149



M3711N



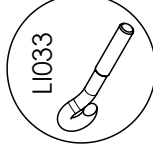
SA3764



LI4505



LI52126

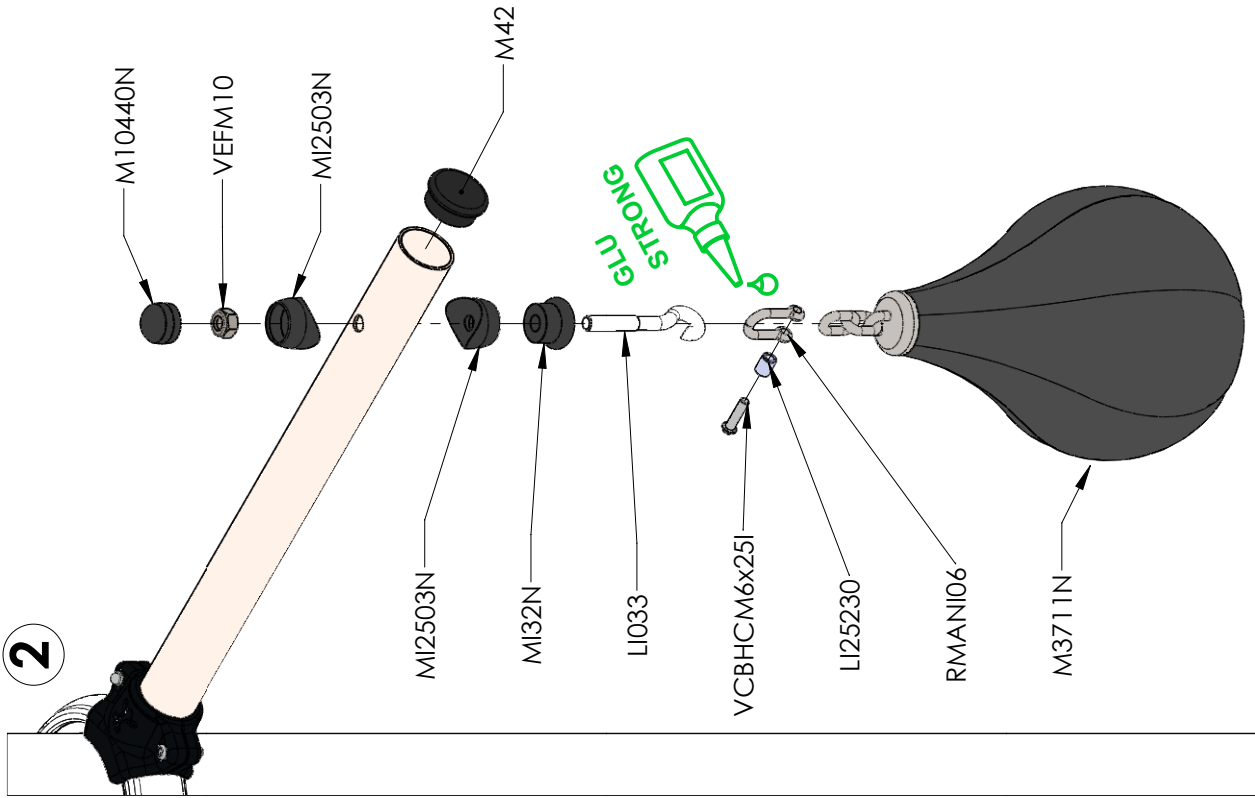


LI033

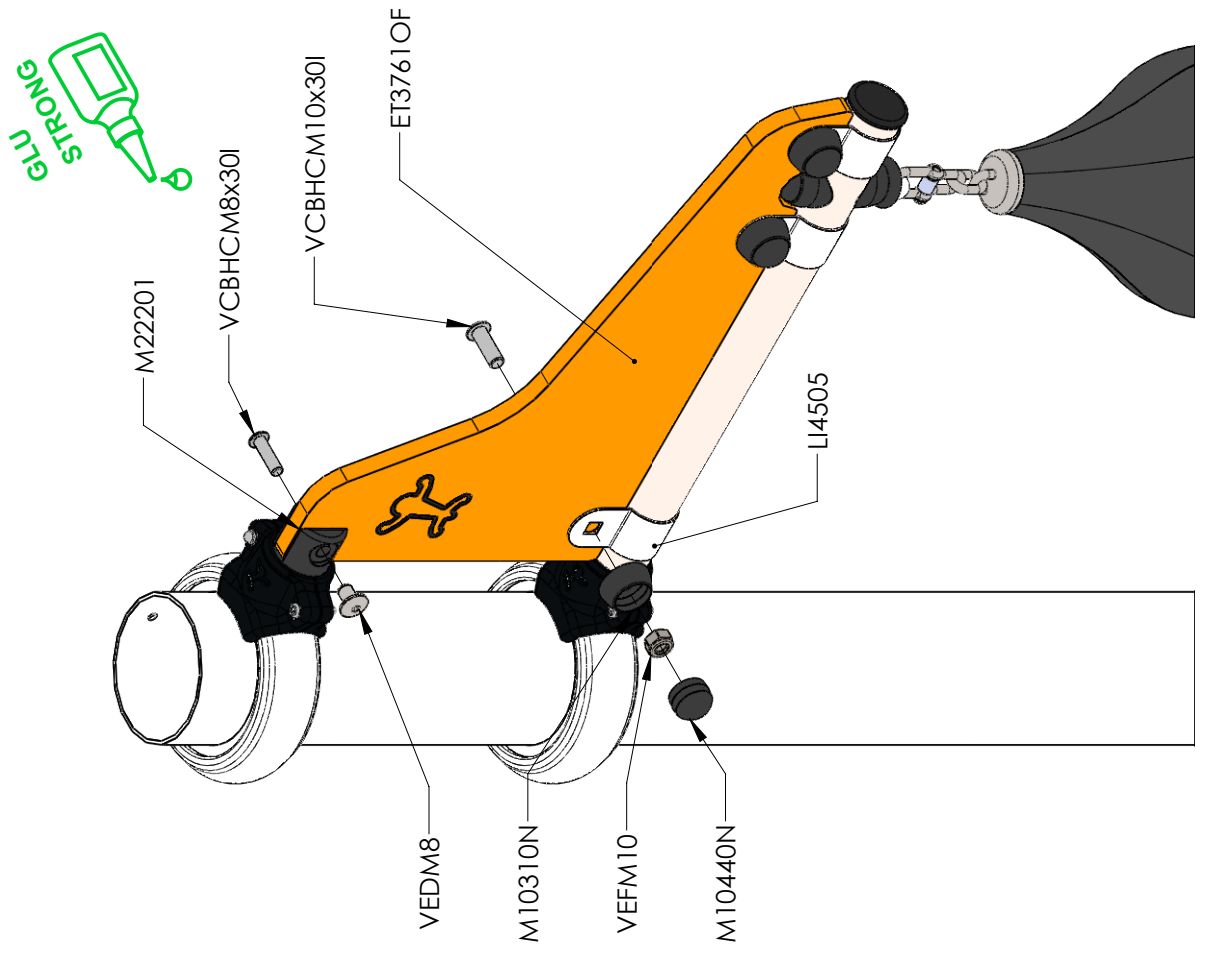


LA22201N

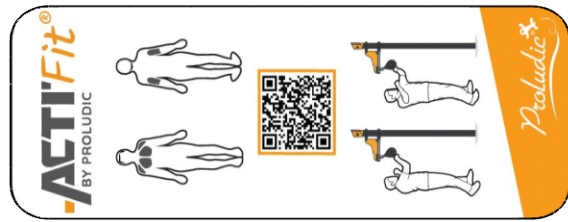
Réf	Qté
ET3761OF	1
LA22201N	4
LI033	1
LI4505	3
LI25230	1
LI37149	1
LI52126	1
M42	1
M10310N	3
M10440N	4
M22201	1
MI32N	1
MI2503N	2
M3711N	1
RMANI06	1
SA3764	1
VBTR6x25	4
VCBHC6x25I	1
VCBHC8x30I	1
VCBHC10x30I	3
VEDM8	1
VEFBM6	4
VEFM10	4
VTH6x60 AUTO	1



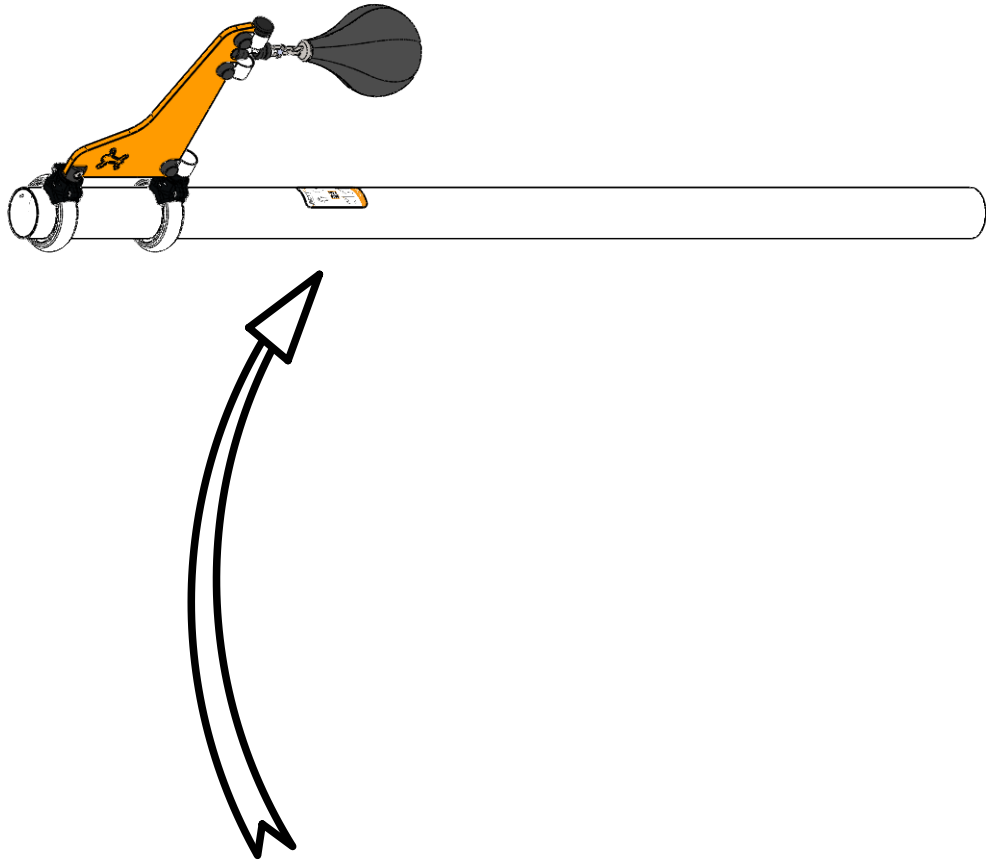
3

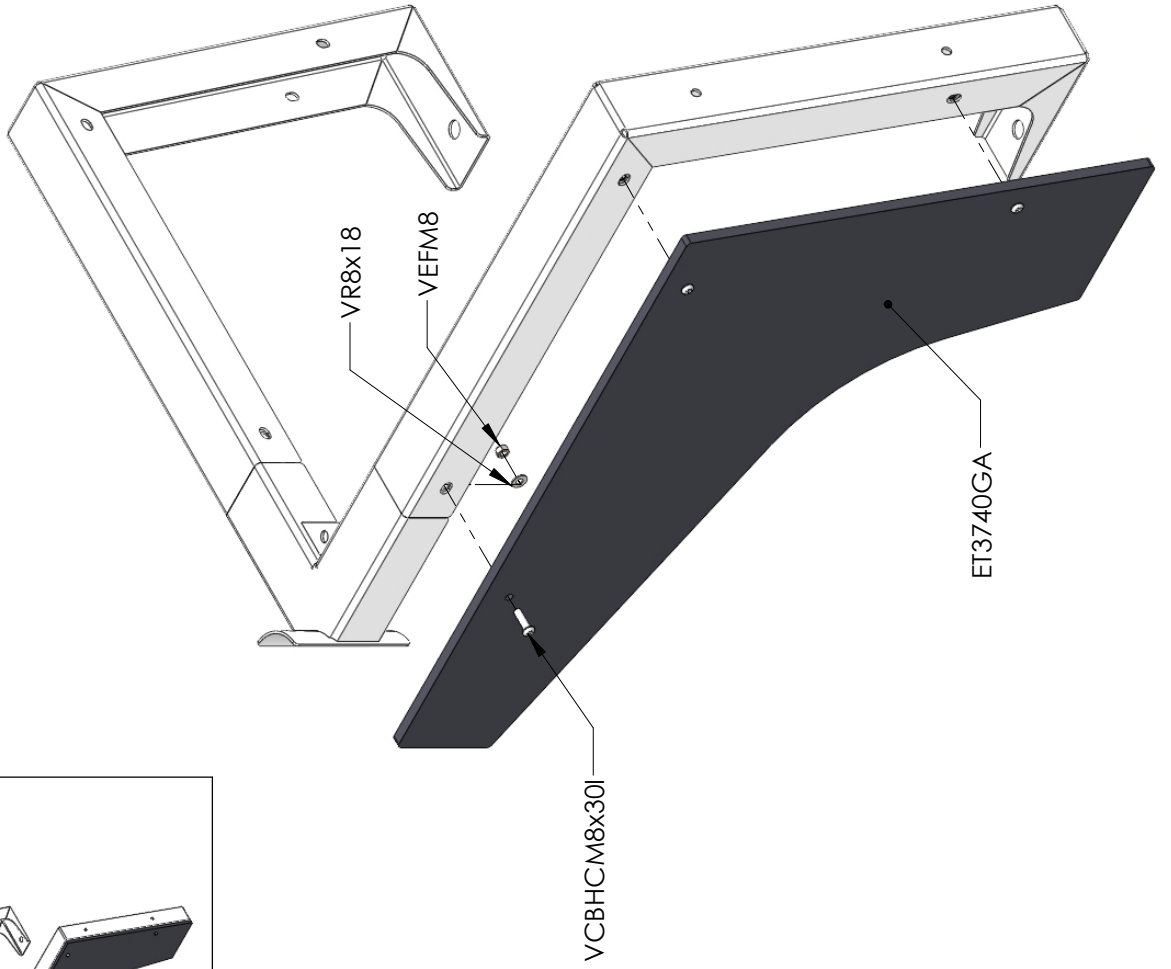
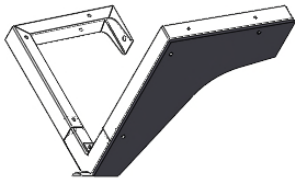


4



SA3764

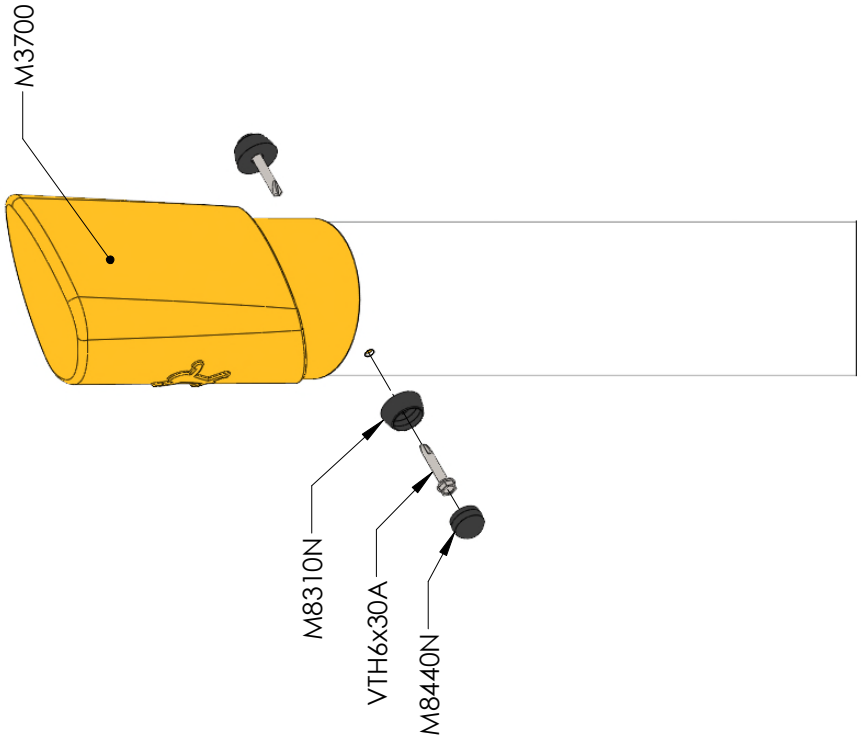
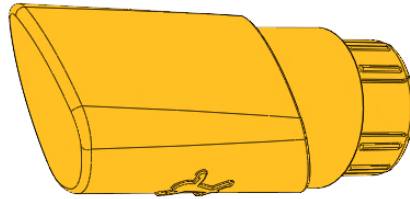




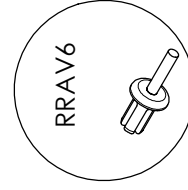
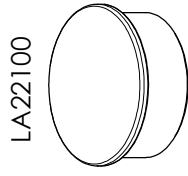
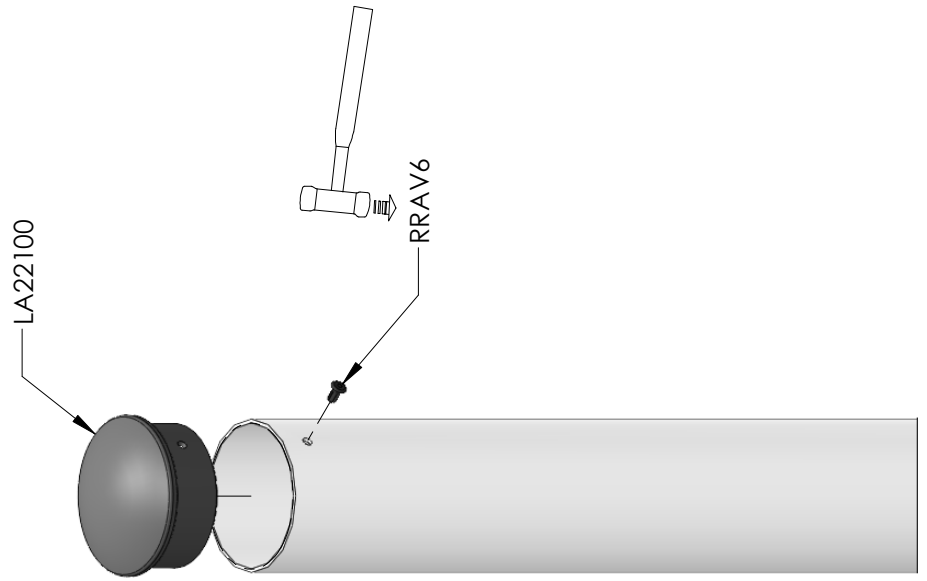
ET3740GA

Réf	Qté
ET3740GA	1
VCBHCM8x30I	3
VEFM8	3
VR8x18	3

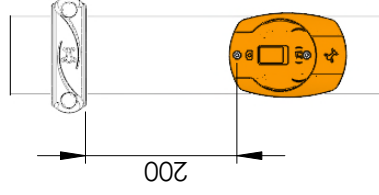
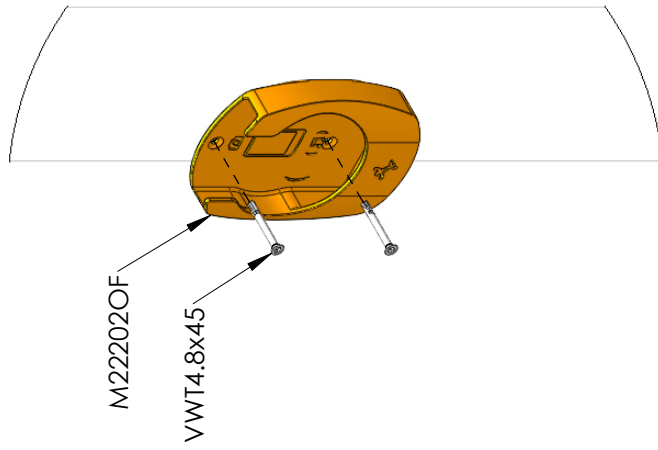
M3700



Réf	Qté
M3700	1
M8310N	2
M8440N	2
VTH6x30A	2



Réf	Qté
LA22100	1
RRAV6	1



Réf	Qté
M22202OF	1
VWT4.8x45	2